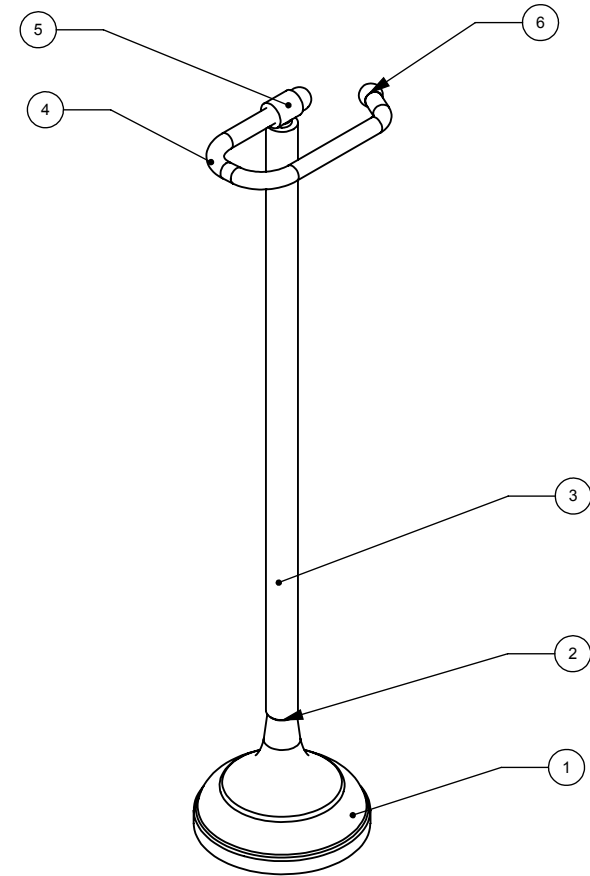
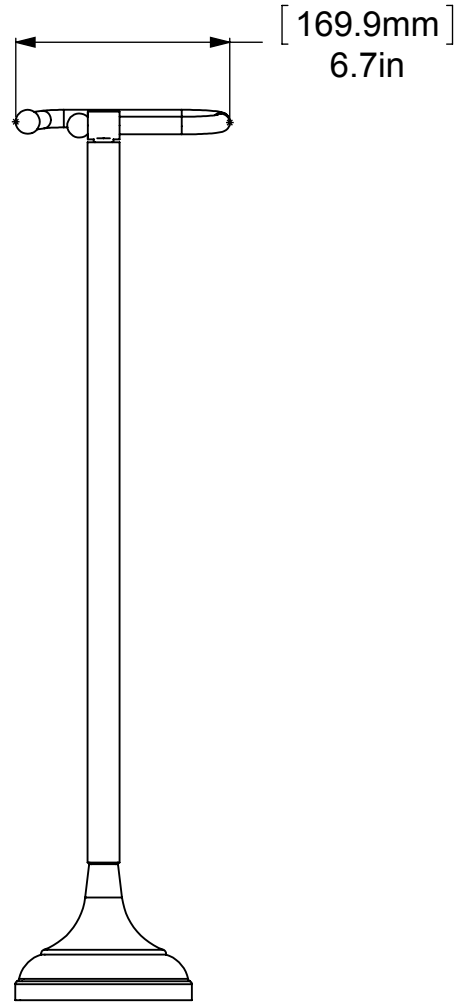
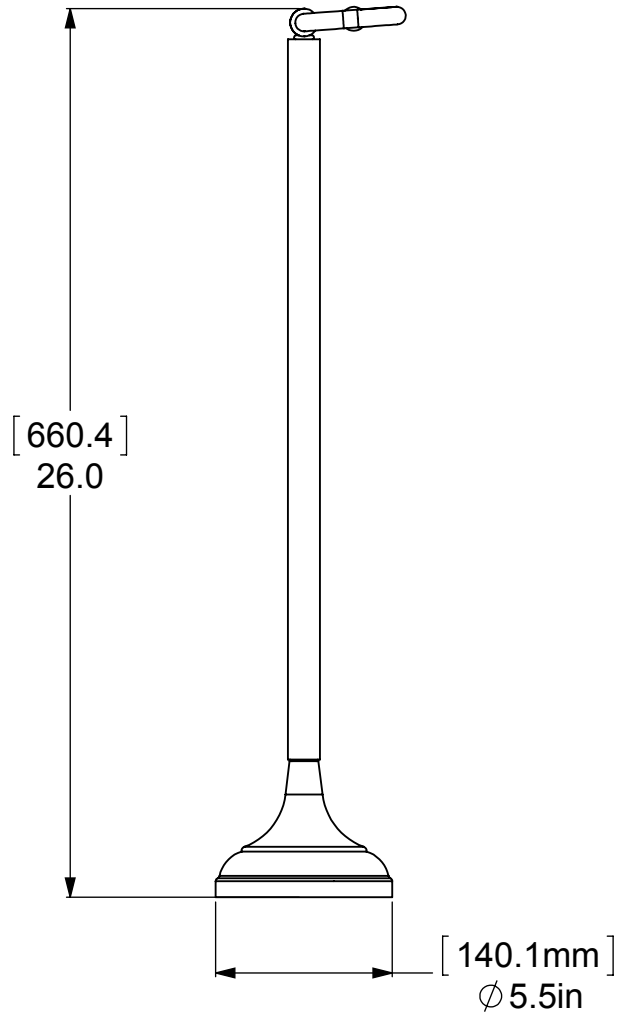
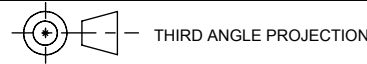



ITEM NO.	P/N	DESCRIPTION	QTY.
1	BSTD-5.5	BASE	1
2	CRRD-1	RING	1
3	TU1-22.5	TUBE	1
4	HKET-12	PIPE FRAME	1
5	HBOVR	HUB	1
6	BL1T-34	BALL	2



UNLESS OTHERWISE STATED	
.X	±.3mm
.XX	±.15mm
.XXX	±.008mm

COPYRIGHT © Allied Brass 2016



DRAWN	4/11/2016	I.M	MATERIAL:	BRASS		FINISH	TBD
CHECKED	4/11/2016	P.D	DESCRIPTION:		QUANTITY	TBD	
APPROVED	4/11/2016	R.A	Free Standing European Style Toilet Tissue Holder		DRAWING No.	REV	
					TS-28	0	
			SCALE	1:5.5	SHEET: 01	A4	