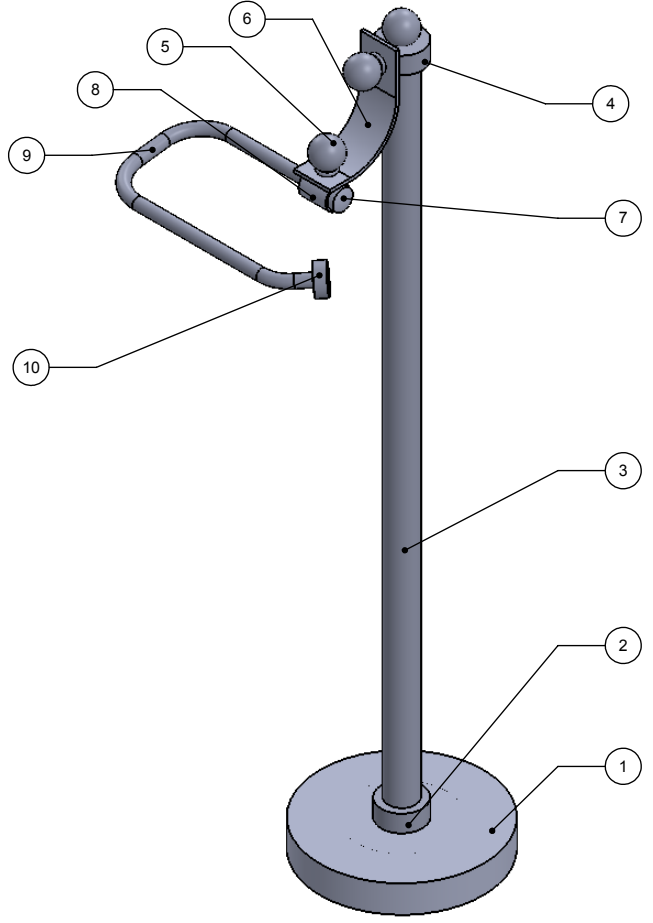


[165.1]
Ø 6.5

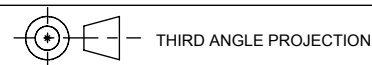
ITEM NO.	P/N	DESCRIPTION	QTY.
1	BSRD-6.5	BASE	1
2	RGSM	HUB	1
3	TU1-23.5	TUBE	2
4	RGSMT	HUB	1
5	BL1T-1	BALL	3
6	BKNY-1	STRIP SUPPORT	1
7	CARD-34	CAP	1
8	HOBVR	HUB	1
9	HKET-12	PIPE FRAM	1
10	CARD-1	END CAP	1



UNLESS OTHERWISE STATED

.X	± .3mm
.XX	± .15mm
.XXX	± .008mm

COPYRIGHT © Allied Brass 2016



DRAWN	4/8/2016	I.M
CHECKED	4/8/2016	P.D
APPROVED	4/8/2016	R.A

MATERIAL: BRASS
 DESCRIPTION: Free Standing European Style Toilet Tissue Holder



FINISH	TBD
QUANTITY	TBD
DRAWING No.	REV
TS-23	0
SCALE	1:5
SHEET: 01	A4