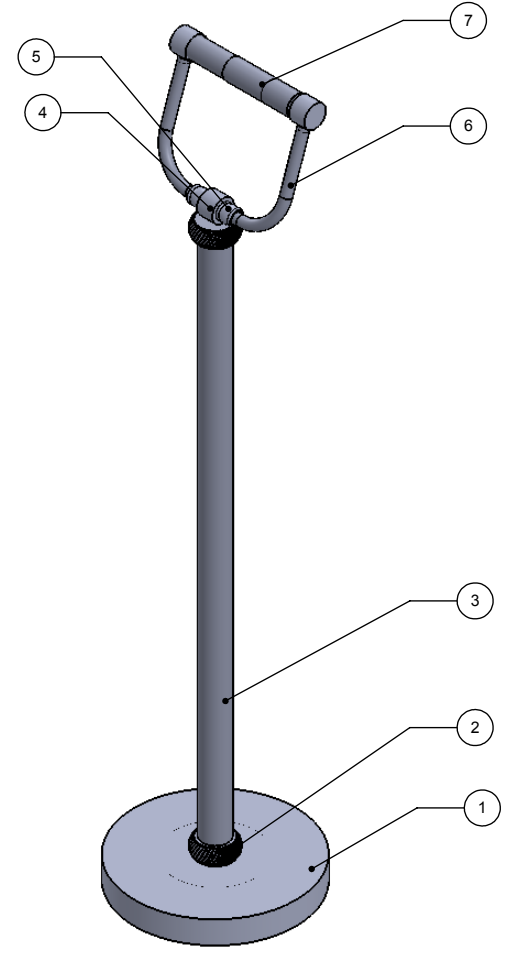
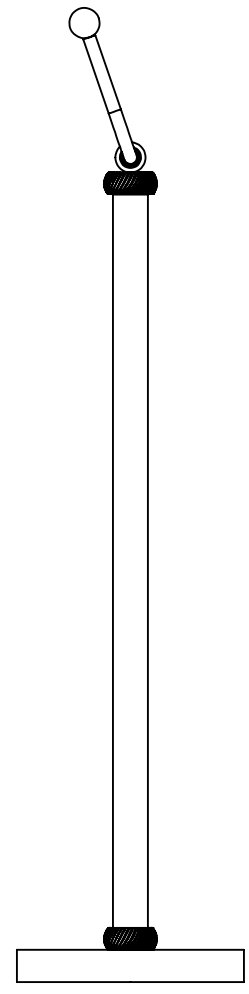
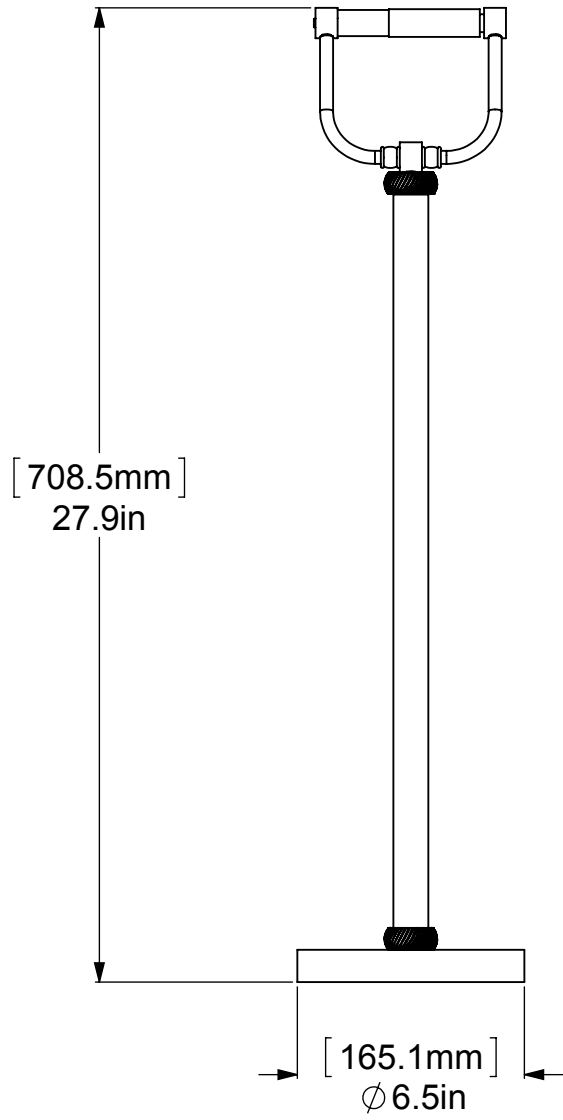


ITEM NO.	P/N	DESCRIPTION	QTY.
1	BSRD-6.5	BASE	1
2	RGTW	HUB	2
3	TU1-21	TUBE	1
4	HBTTT-78	HUB	3
5	PSRD-58	CONNECTOR	2
6	HKTT	PIPE	2
7	ROLL	RLB SET	1



UNLESS OTHERWISE STATED

.X	±.3mm
.XX	±.15mm
.XXX	±.008mm

COPYRIGHT © Allied Brass 2016



DRAWN	3/22/2016	I.M
CHECKED	3/22/2016	P.D
APPROVED	3/22/2016	R.A

MATERIAL:	BRASS		FINISH	TBD
DESCRIPTION:	Free Standing Toilet Tissue Stands		QUANTITY	TBD
			DRAWING No.	
			TS-25T	
SCALE		1:5.5	SHEET: 01	A4