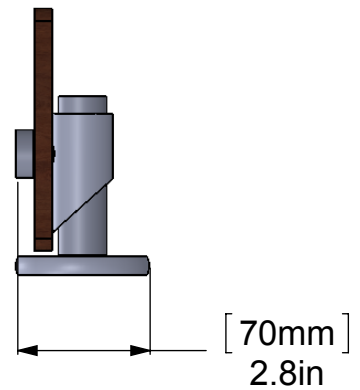
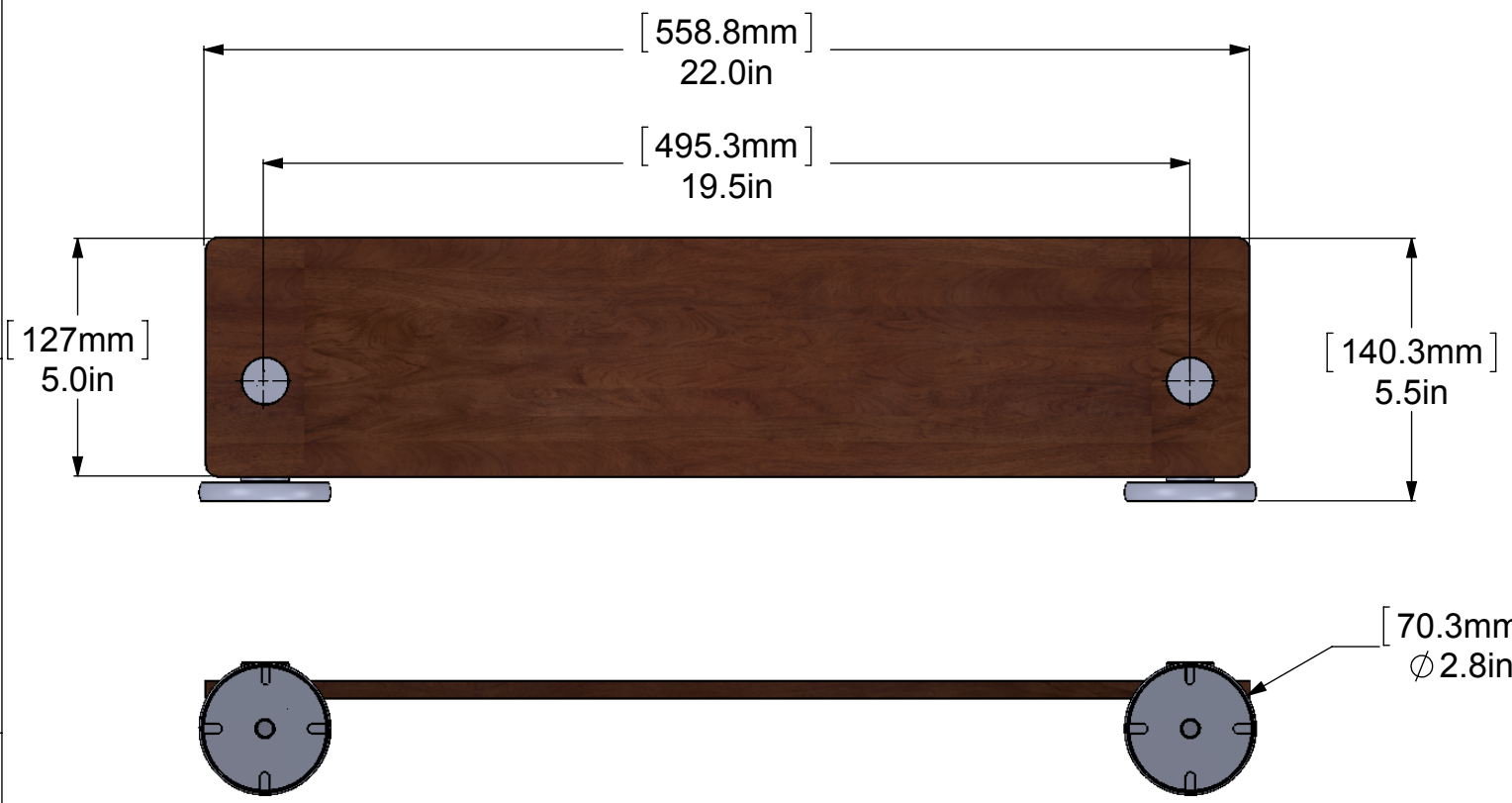
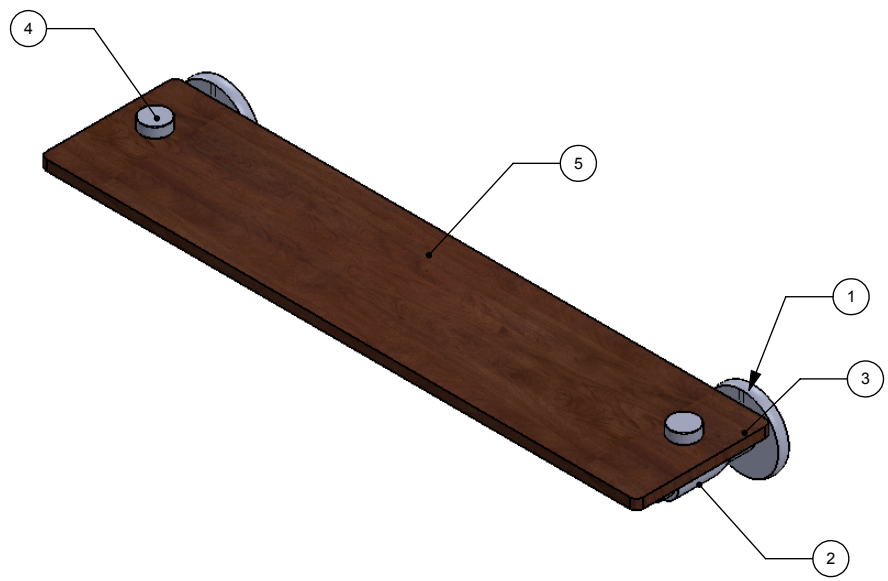


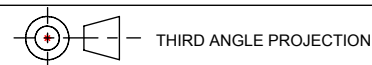
ITEM NO.	P/N	Description	QTY.
1	BPRD	BACKPLATE	2
2	BKSVT	SUPPORT POST	2
3	TU12-2	TUBE	2
4	CARD-1	END CAP	4
5	IRWRT-22	WOOD SHELF	1



UNLESS OTHERWISE STATED

.X	±.3mm
.XX	±.15mm
.XXX	±.008mm

COPYRIGHT © Allied Brass 2016



DRAWN	1/29/2017	I.M
CHECKED	1/29/2017	P.D
APPROVED	1/29/2017	R.A

MATERIAL: BRASS
 DESCRIPTION: Tribeca Collection Solid IPE Ironwood Shelf

FINISH	TBD
QUANTITY	TBD
DRAWING No.	REV
TR-1-22-IRW	0
SCALE	1:4 SHEET: 01 A4