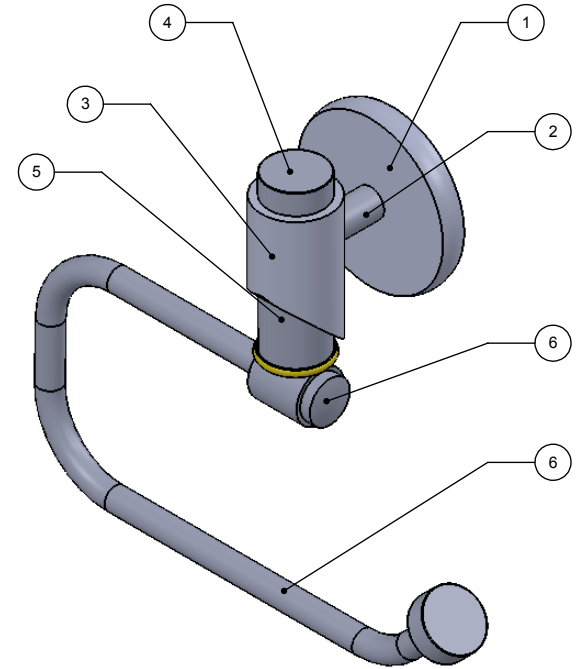
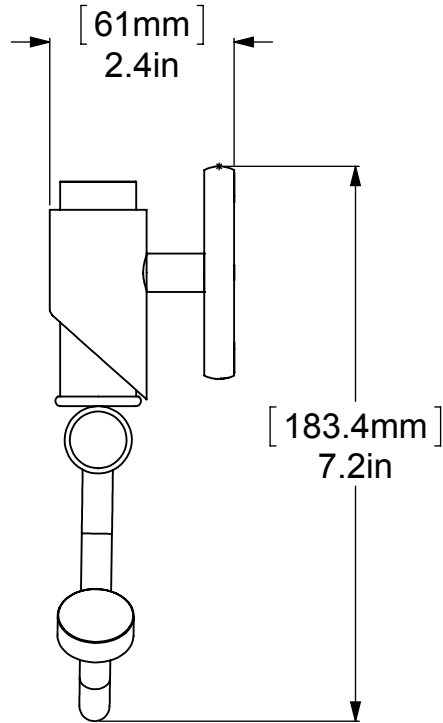
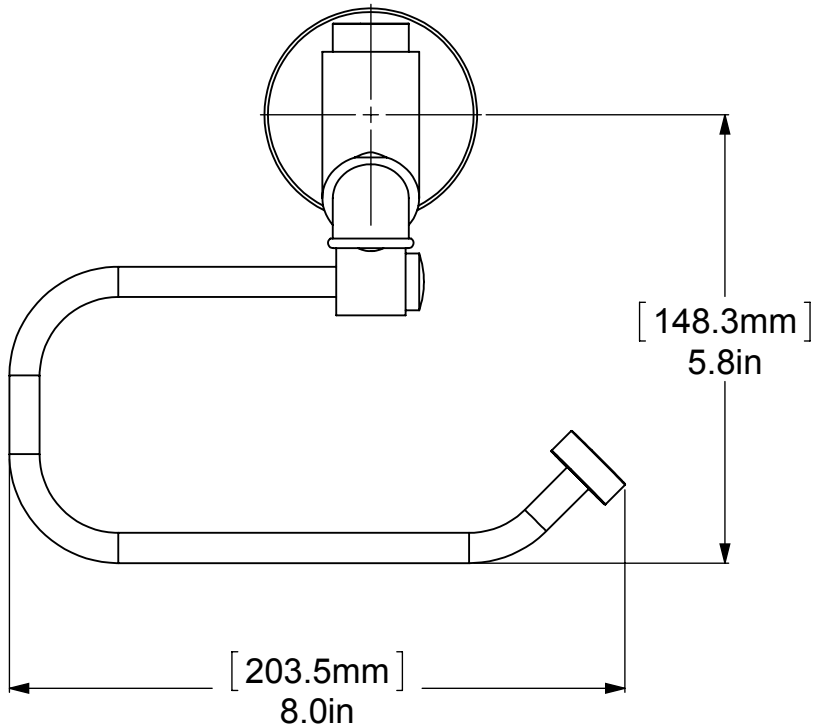


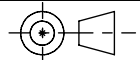
ITEM NO.	P/N	Description	QTY.
1	BPRD	Base	1
2	TU12-.75	TUBE SUPPORT	1
3	BKSVT	HUB	1
4	CARD-1	CAP	2
5	TU1-2	TUBE	1
6	HBOVR	HUB	1
7	CARD-34	CAP	1
8	HKETS-34	TUBE PIPE	1




UNLESS OTHERWISE STATED

.X	$\pm .3\text{mm}$
.XX	$\pm .15\text{mm}$
.XXX	$\pm .008\text{mm}$

COPYRIGHT © Allied Brass 2016



THIRD ANGLE PROJECTION

DRAWN	2-13-2016	I.M	MATERIAL:	BRASS		FINISH	TBD
CHECKED	2-13-2016	P.D	DESCRIPTION:		QUANTITY	TBD	
APPROVED	2-13-2016	R.A	TISSUE HOLDER		DRAWING No.	REV	
					TR-24E		0
				SCALE	1:2.5	SHEET: 01	A4