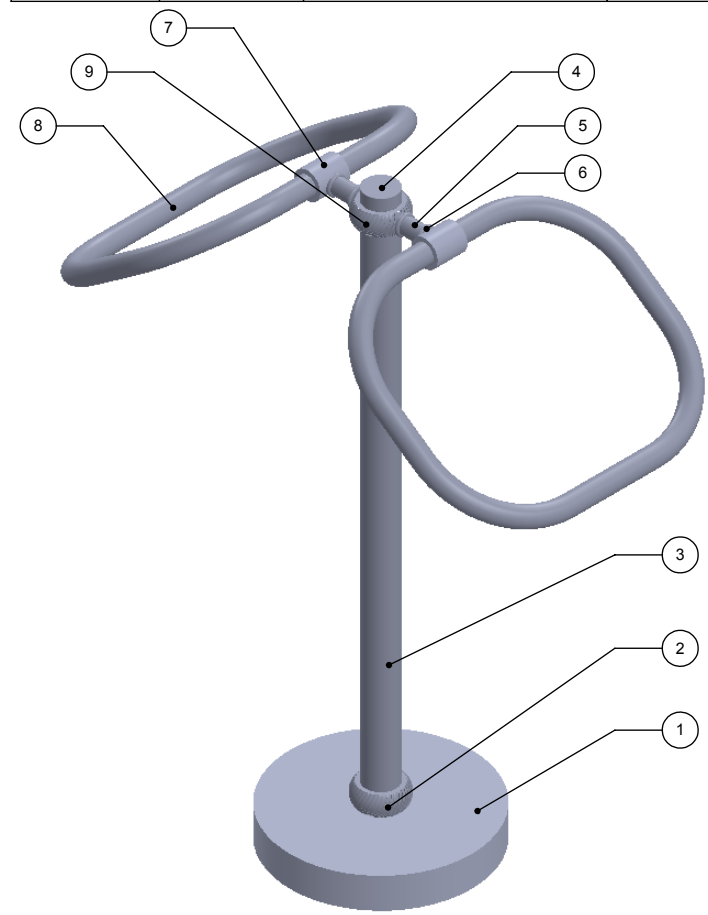
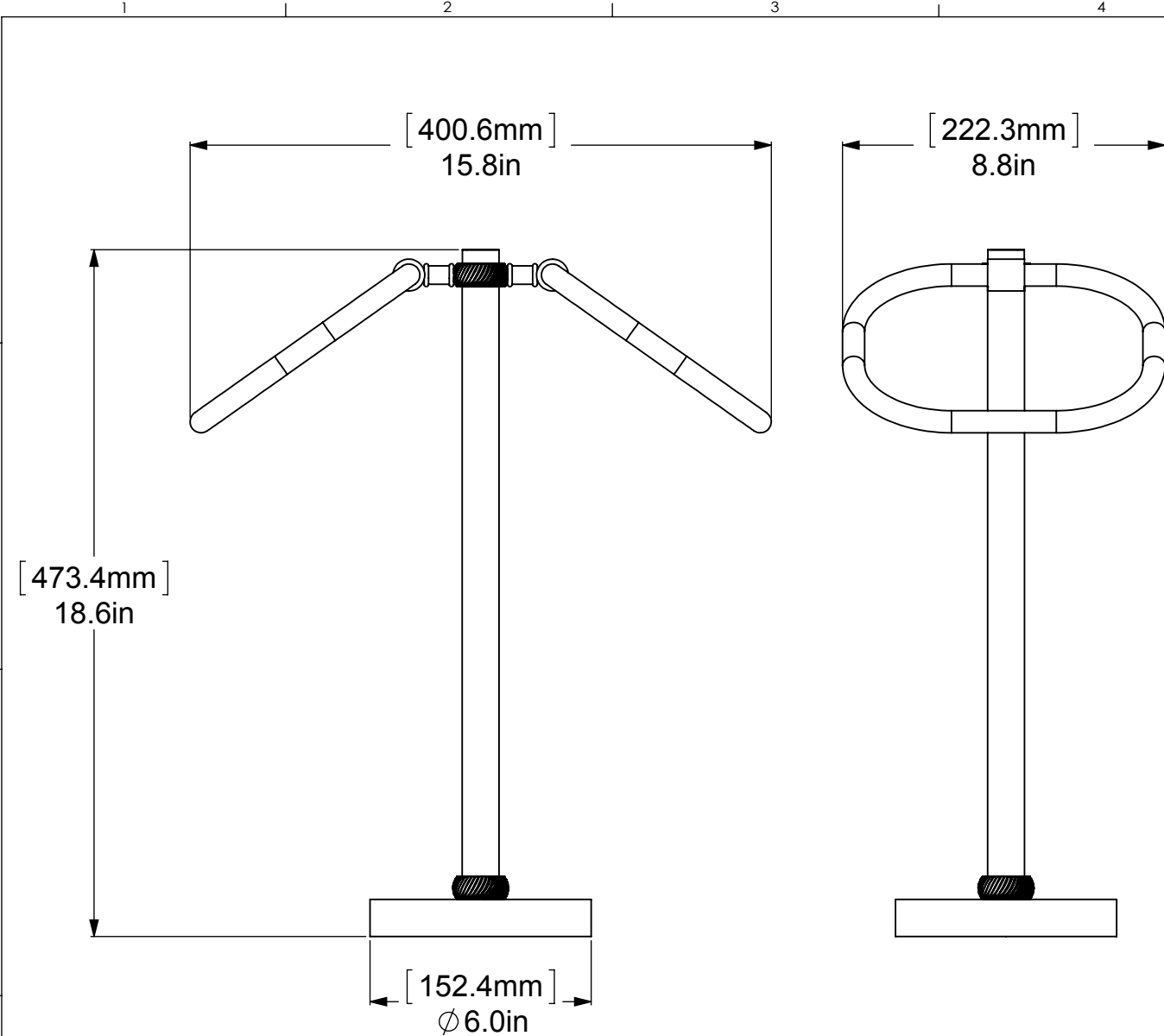


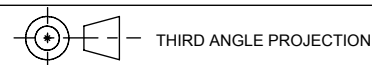
ITEM NO.	P/N	DESCRIPTION	QTY.
1	BSRD-6	BASE	1
2	RGTW	HUB	1
3	TU1-16	TUBE	1
4	CARD-1	END LOCK	1
5	TU12-.75	TUBE TOP	2
6	CRRD-12	RING	4
7	HOBVR	HUB CONNECTOR	2
8	TROV	END LOOP	2
9	RGTWP	HUB TOP	1



UNLESS OTHERWISE STATED

.X	±.3mm
.XX	±.15mm
.XXX	±.008mm

COPYRIGHT © Allied Brass 2016



DRAWN	3/20/2016	I.M
CHECKED	3/20/2016	P.D
APPROVED	3/20/2016	R.A

MATERIAL: BRASS
 DESCRIPTION: Two Ring Oval Guest Towel Holder



FINISH	TBD
QUANTITY	TBD
DRAWING No.	REV
TB-20T	0
SCALE	1:4.5
SHEET: 01	A4