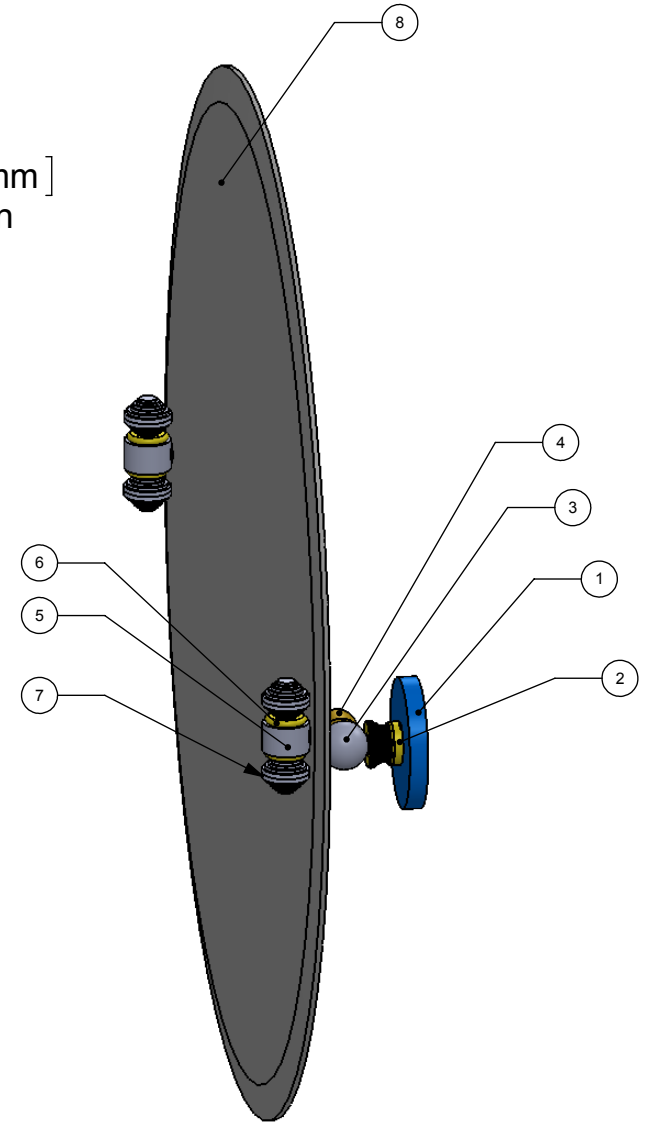
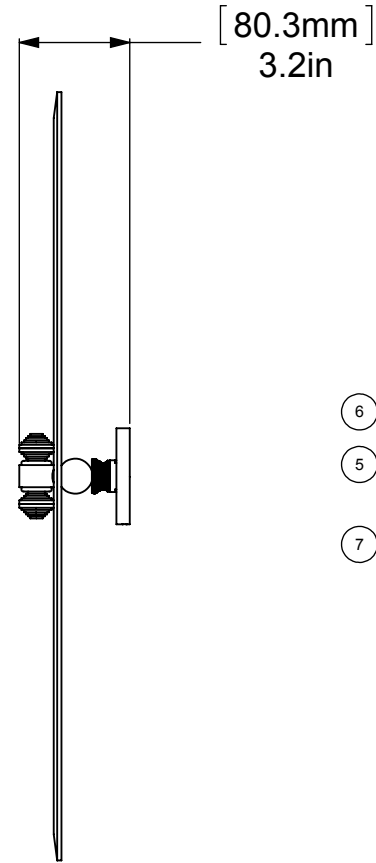
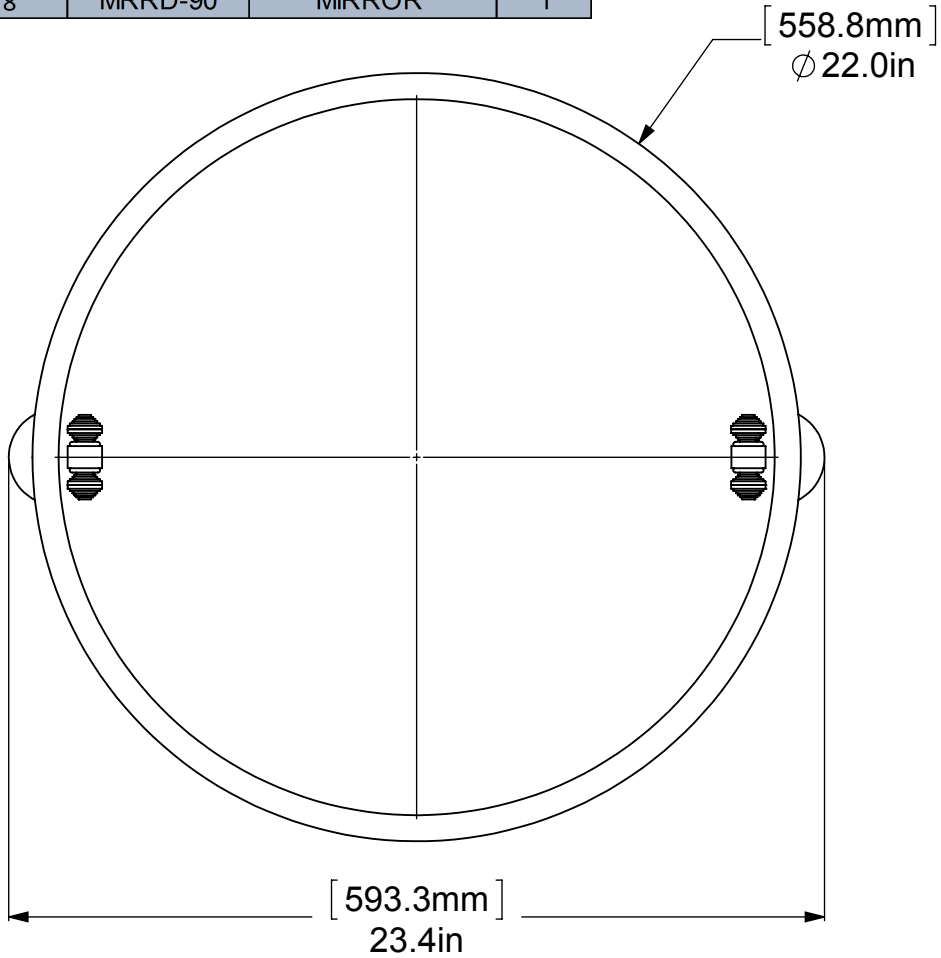


1	BPRD	BACKPLATE	2
2	NKSL-58	SUPPORT	2
3	BL2T-1	BALL SUPPORT	2
4	HBTT-78	TILT	2
5	HB1T-1	HUB	2
6	CRRD-34	CHECK RING	4
7	CANY	CAP	8
8	MRRD-90	MIRROR	1



UNLESS OTHERWISE STATED	
.X	±.3mm
.XX	±.15mm
.XXX	±.008mm

COPYRIGHT © Allied Brass 2016

THIRD ANGLE PROJECTION

DRAWN	2/8/2016	I.M	MATERIAL:	BRASS	FINISH	TBD
CHECKED	2/8/2016	P.D	DESCRIPTION:	MIRROR	QUANTITY	TBD
APPROVED	2/8/2016	R.A			DRAWING No.	REV
					SCALE	1:5.5
					SB-90	
					0	