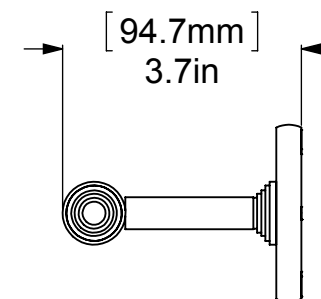
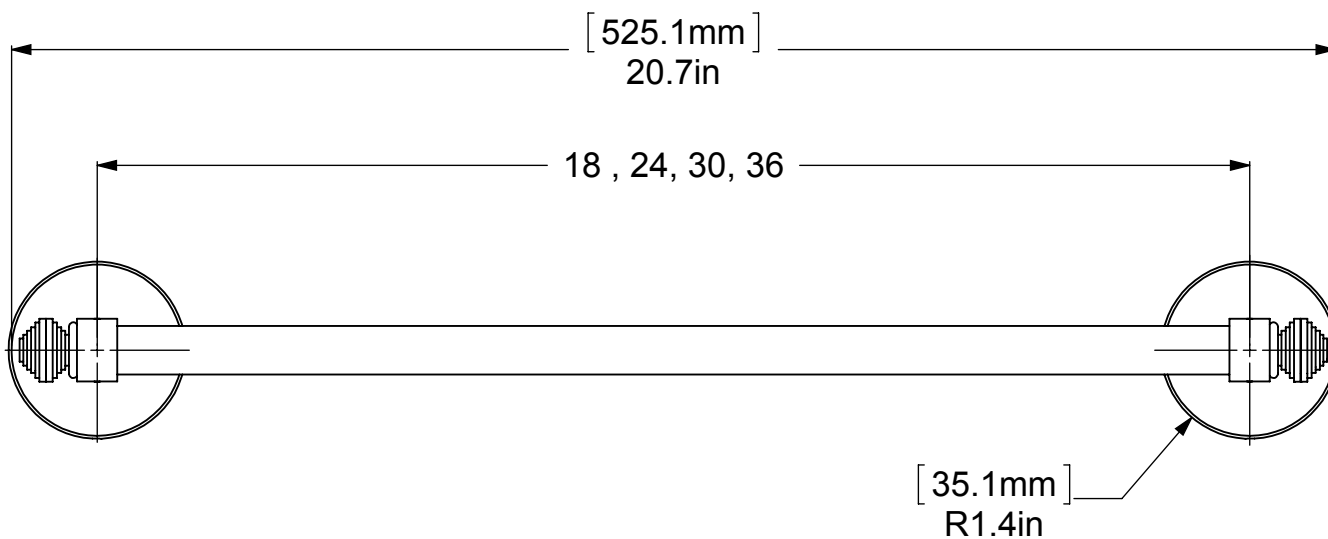
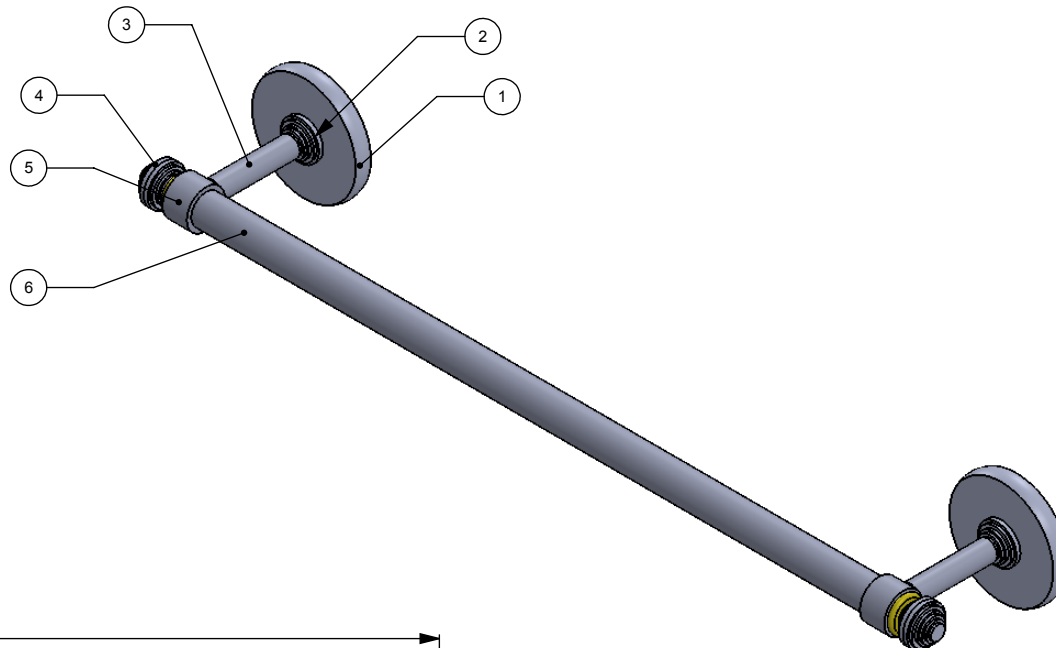


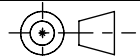
ITEM NO.	P/N	Description	QTY.
1	BPRD	BACKPLATE	2
2	RGNY-1	SUPPORT	3
3	TU12-2	TUBE	2
4	CANY-1	CAP	2
5	HB1T-1	HUB	2
6	TU34	BAR	1



UNLESS OTHERWISE STATED

.X	±.3mm
.XX	±.15mm
.XXX	±.008mm

COPYRIGHT © Allied Brass 2016



THIRD ANGLE PROJECTION

DRAWN	2/8/2016	I.M
CHECKED	2/8/2016	P.D
APPROVED	2/8/2016	R.A

MATERIAL:	BRASS
DESCRIPTION:	TOWEL BAR

FINISH	TBD
QUANTITY	TBD
DRAWING No.	REV
SB-41	0
SCALE	1:3
SHEET: 01	A4