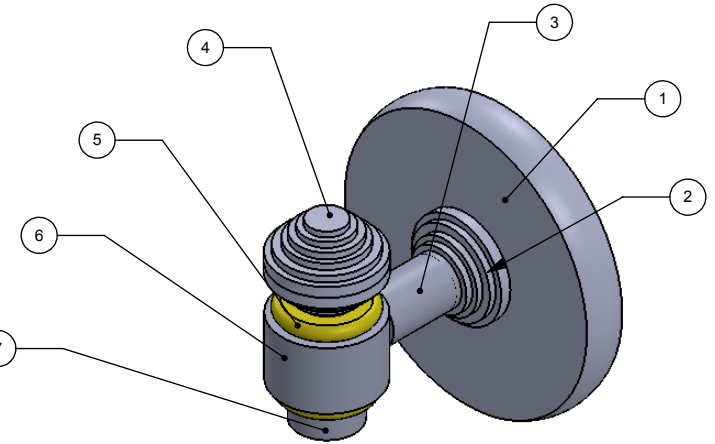
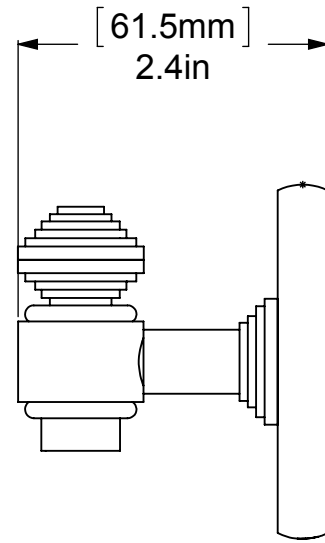
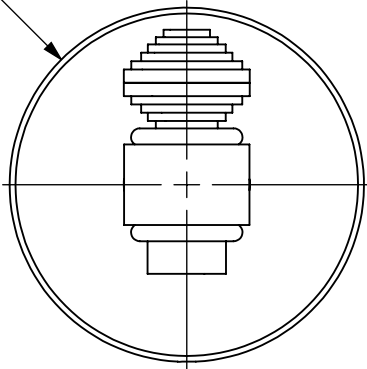


ITEM NO.	P/N	Description	QTY.
1	BPRD	BACKPLATE	1
2	RGNY-1	SUPPORT	2
3	TU12-.75	TUBE	2
4	CANY-1	CAP	1
5	CRRD-34	CHECK RING	2
6	HB1T-1	HUB	1
7	CARD-58	CAP	1

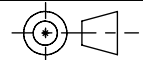
[35.1mm]  
R1.4in



UNLESS OTHERWISE STATED


.X	±.3mm
.XX	±.15mm
.XXX	±.008mm

COPYRIGHT © Allied Brass 2016



THIRD ANGLE PROJECTION

DRAWN	2/6/2016	I.M
CHECKED	2/6/2016	P.D
APPROVED	2/6/2016	R.A

MATERIAL:	BRASS		FINISH	TBD
DESCRIPTION:	ROBE HOOK		QUANTITY	TBD
		DRAWING No.		REV
		SB-20		0
SCALE	1:1.5	SHEET: 01	A4	