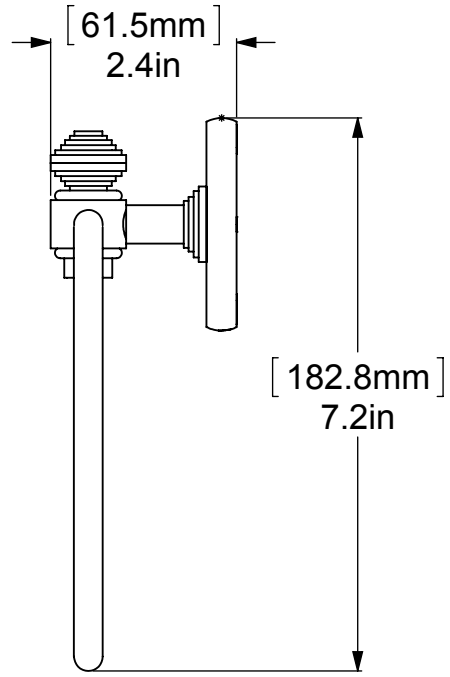
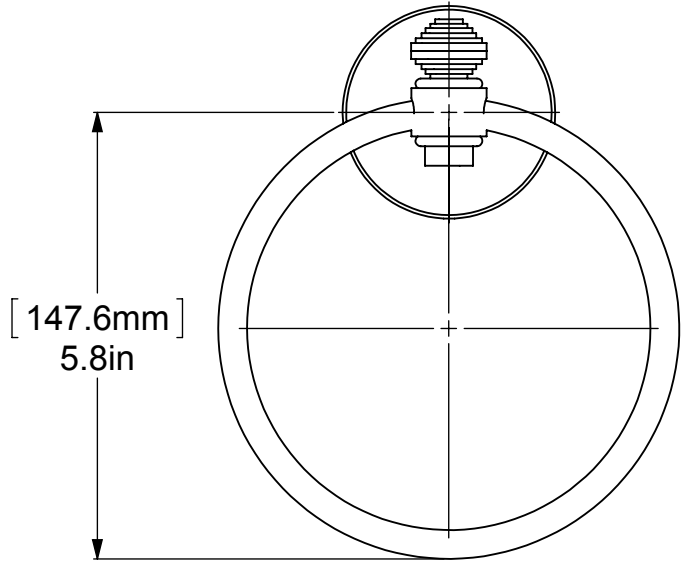
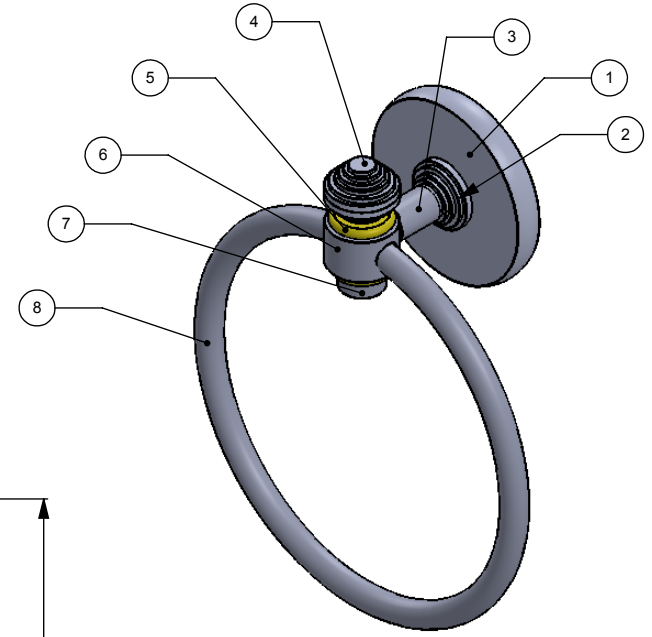


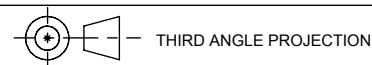
ITEM NO.	P/N	Description	QTY.
1	BPRD	BACKPLATE	1
2	RGNY-1	SUPPORT	2
3	TU12-.75	TUBE	2
4	CANY-1	CAP	1
5	CRRD-34	CHECK RING	2
6	HB2T-1	HUB	1
7	CARD-58	CAP	1
8	TRMT-6	RING	1



UNLESS OTHERWISE STATED

.X	$\pm .3\text{mm}$
.XX	$\pm .15\text{mm}$
.XXX	$\pm .008\text{mm}$

COPYRIGHT © Allied Brass 2016



DRAWN	2/6/2016	I.M
CHECKED	2/6/2016	P.D
APPROVED	2/6/2016	R.A

MATERIAL:	BRASS
DESCRIPTION:	TOWEL RING



FINISH	TBD
QUANTITY	TBD
DRAWING No.	REV
SB-16	0
SCALE	1:2.5
SHEET: 01	A4