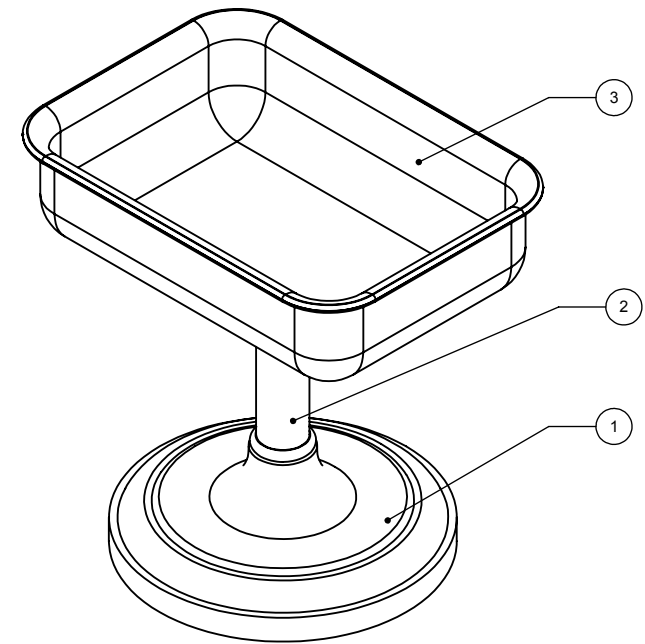
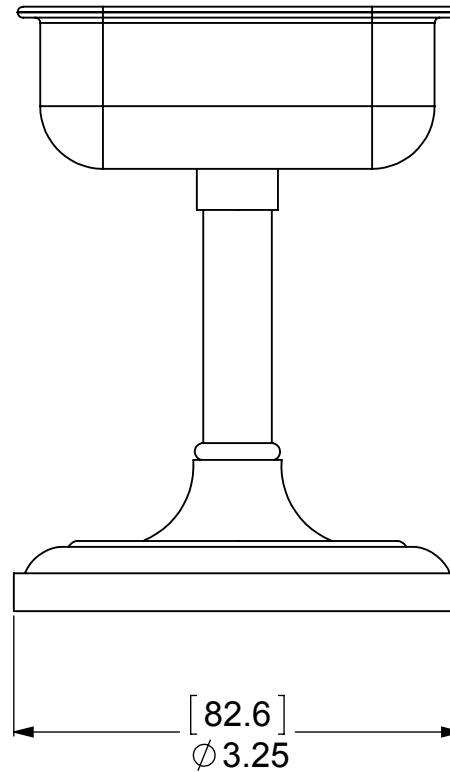
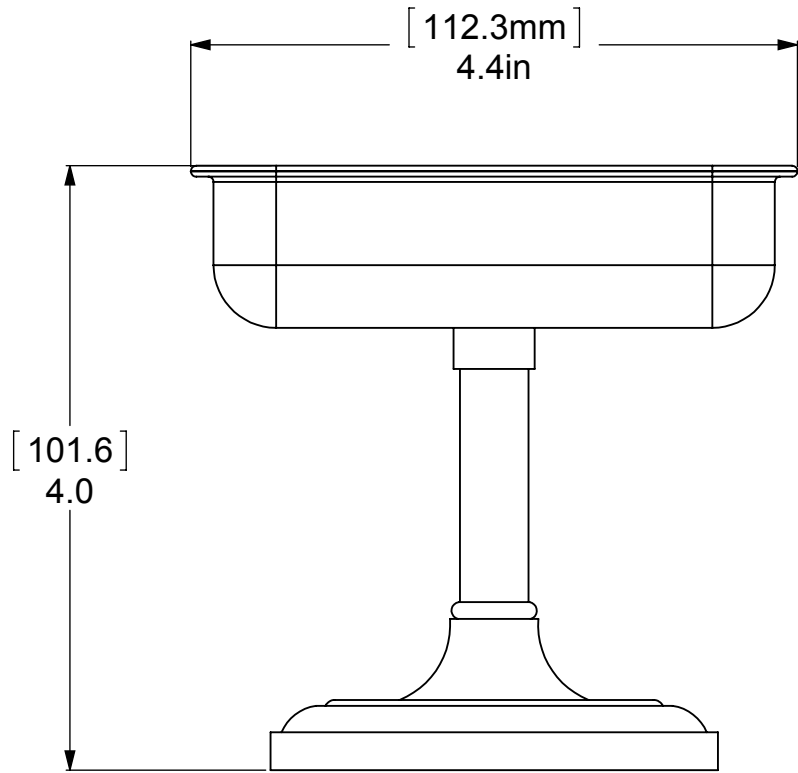


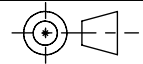
ITEM NO.	P/N	DESCRIPTION	QTY.
1	BSTD-3.25	BASE	1
2	TU12-2	TUBE	1
3	HRRTS	TUBE	1



UNLESS OTHERWISE STATED

.X	±.3mm
.XX	±.15mm
.XXX	±.008mm

COPYRIGHT © Allied Brass 2016



THIRD ANGLE PROJECTION

DRAWN	4/7/2016	I.M
CHECKED	4/7/2016	P.D
APPROVED	4/7/2016	R.A

MATERIAL:	BRASS
DESCRIPTION:	Vanity Top Soap Dish

FINISH	TBD
QUANTITY	TBD
DRAWING No.	S-56
REV	0
SCALE	1:7
SHEET: 01	A4