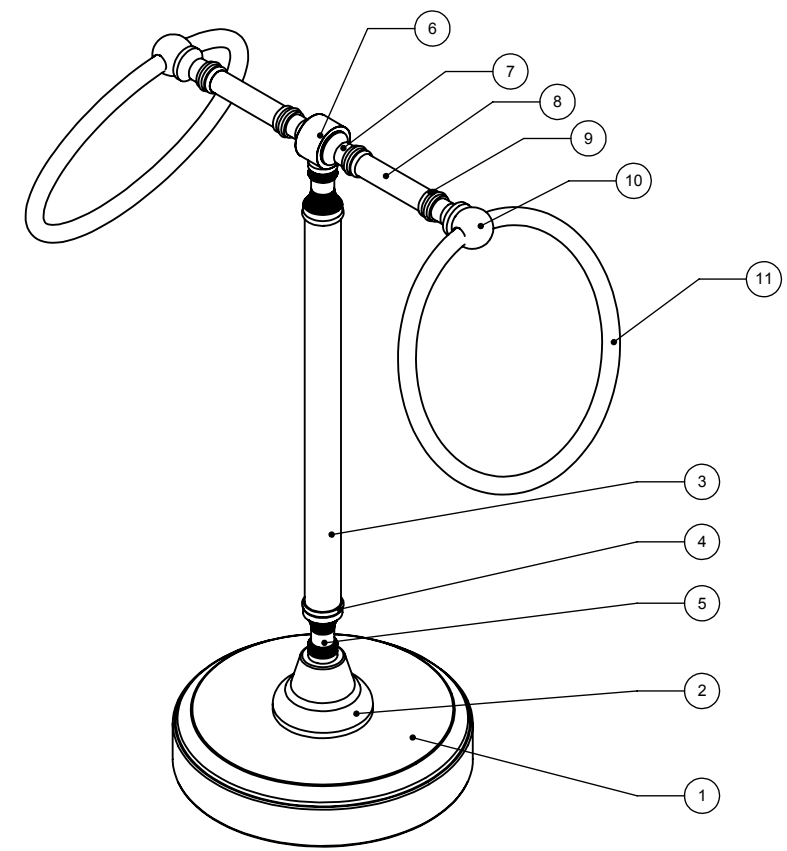
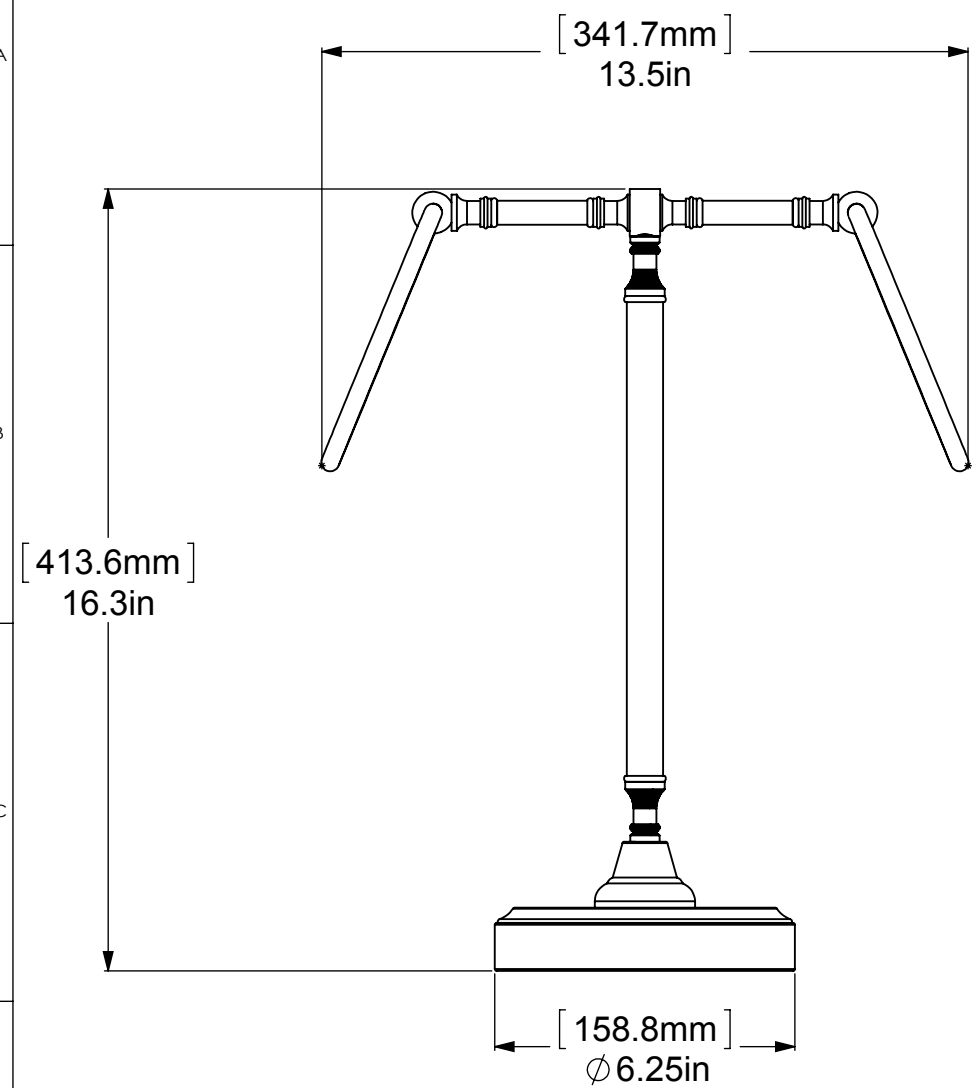


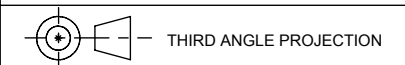
ITEM NO.	P/N	DESCRIPTION	QTY.
1	BSRD-6.25	BASE	1
2	FGTD-1.5	NECK	2
3	TU12-10	TUBE	2
4	CRRD-34	RING	2
5	NKSL-1.25	NECK-CONNECT	2
6	HB1T-1	HUB	1
7	NKSL-78	NECK-SUPPORT	4
8	TU12-2	TUBE	2
9	CRRD-12	CHECK RING	4
10	BLTSR-1	BALL	2
11	TRMT-6	RING	2



UNLESS OTHERWISE STATED

.X	±.3mm
.XX	±.15mm
.XXX	±.008mm

COPYRIGHT © Allied Brass 2016



DRAWN	4/7/2016	I.M
CHECKED	4/7/2016	P.D
APPROVED	4/7/2016	R.A

MATERIAL: BRASS  
 DESCRIPTION: Vanity Top 2 Towel Ring Guest Towel Holder



FINISH	TBD
QUANTITY	TBD
DRAWING No.	REV
RDM-3	0
SCALE	1:7 SHEET: 01 A4