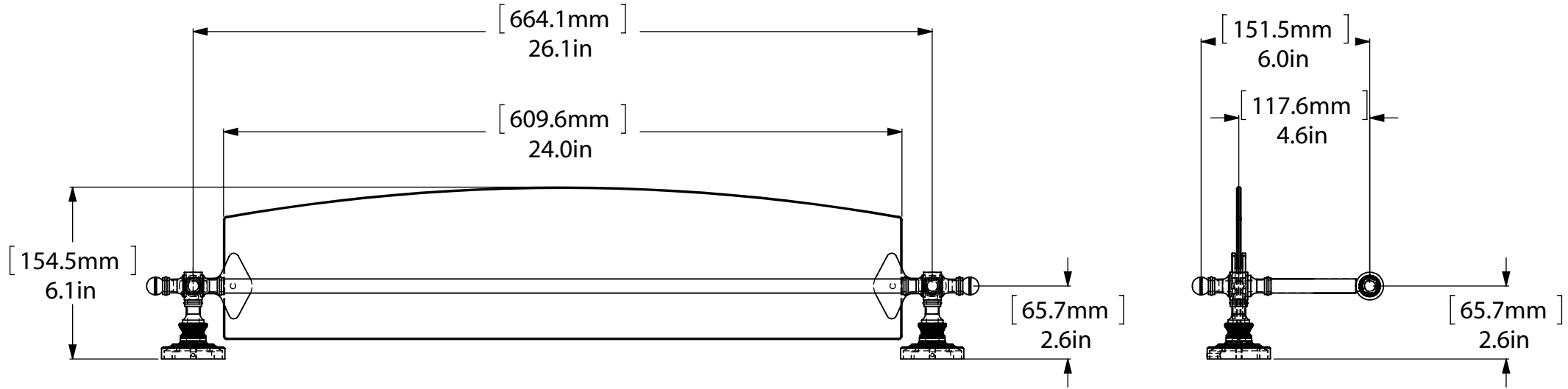
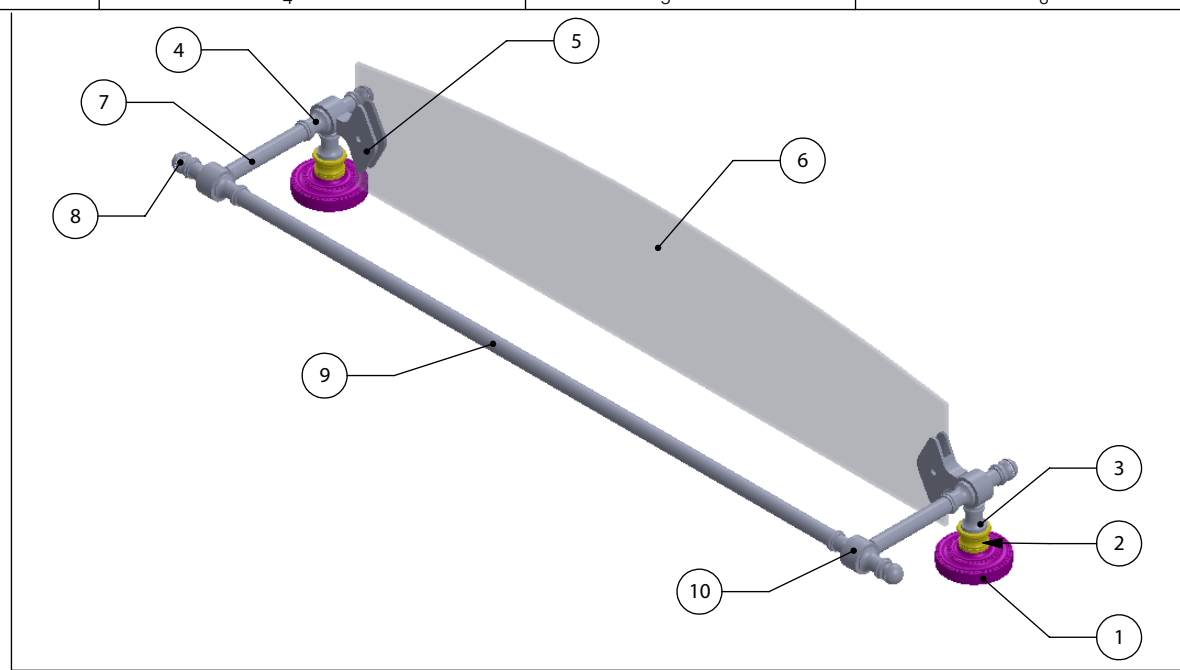



ITEM NO.	P/N	DESCRIPTION	QTY.
1	BPDT	BASE	2
2	NKSL-58	Support	2
3	NKSL-78	Neck	10
4	HB2T-1	Neck Support	2
5	BKSHV	Lock	2
6	GLBV-24	Glass	1
7	TU12-3	Side connector	2
8	BLDT1T-34	Top Ball	4
9	TU12-24	Connector	1
10	HB1T-1	Hub	2



CONFIDENTIALITY/LIMITED LIABILITY STATEMENT
 This document (and any files attached to it) is confidential and intended only for the person or entity to which it is delivered. If you are not the intended recipient, then you have received this document by mistake and any use, dissemination, forwarding, printing or copying of this document and its file attachments is prohibited. Please notify ALLIED BRASS INC. immediately either by telephone or by email, delete the misdirected document from your system and destroy any copies you have made of it. We do not accept any liability for any loss or damage which may arise from your receipt of this document.

UNLESS OTHERWISE STATED			INITIALS	DATE	ITEM	QTY	DRG/PART NO	CLIENT:			
DO NOT SCALE	X.XXX	+/-0.025	DESIGNED	IJM	MATERIAL	BRASS		WEIGHT	FINISH		TBD
DRAWING	X.XX	+/-0.1	DRAWN	IJM	HEAT TREAT	NA		QUANTITY			
CHAMFER ALL	X	+/-0.25	CHECKED	R. ANDRIS	CUSTOMER			CUSTOMER No		---	
EDGES 0.5X4*	ANGLES		PROJ.ENG		DESCRIPTION:				DRAWING No.		REV
DRAWING ISO	X.XX	+/-0.05*	SAFETY		RD-33TB-24				RD-33TB-24		0
	X.X	+/-0.1*	APPROVED	R. ANDRIS					SCALE		1:5
	X	+/-0.5*	FILENAME	RD-33TB-24							
FIRST ANGLE PROJECTION	MACHINED FINISH										