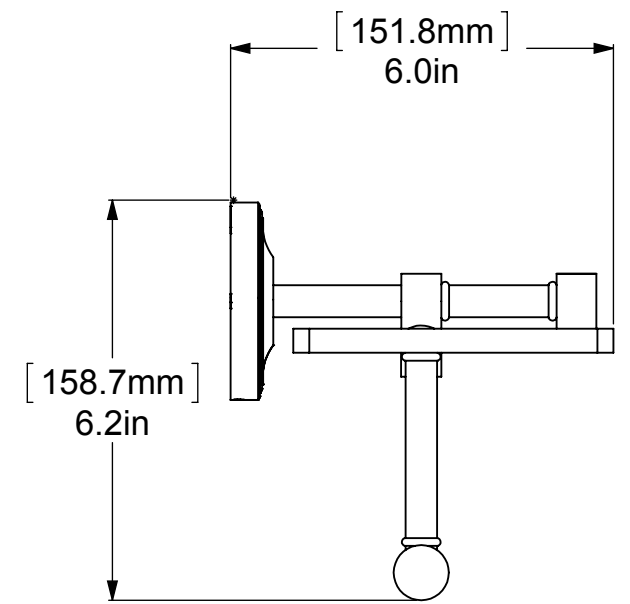
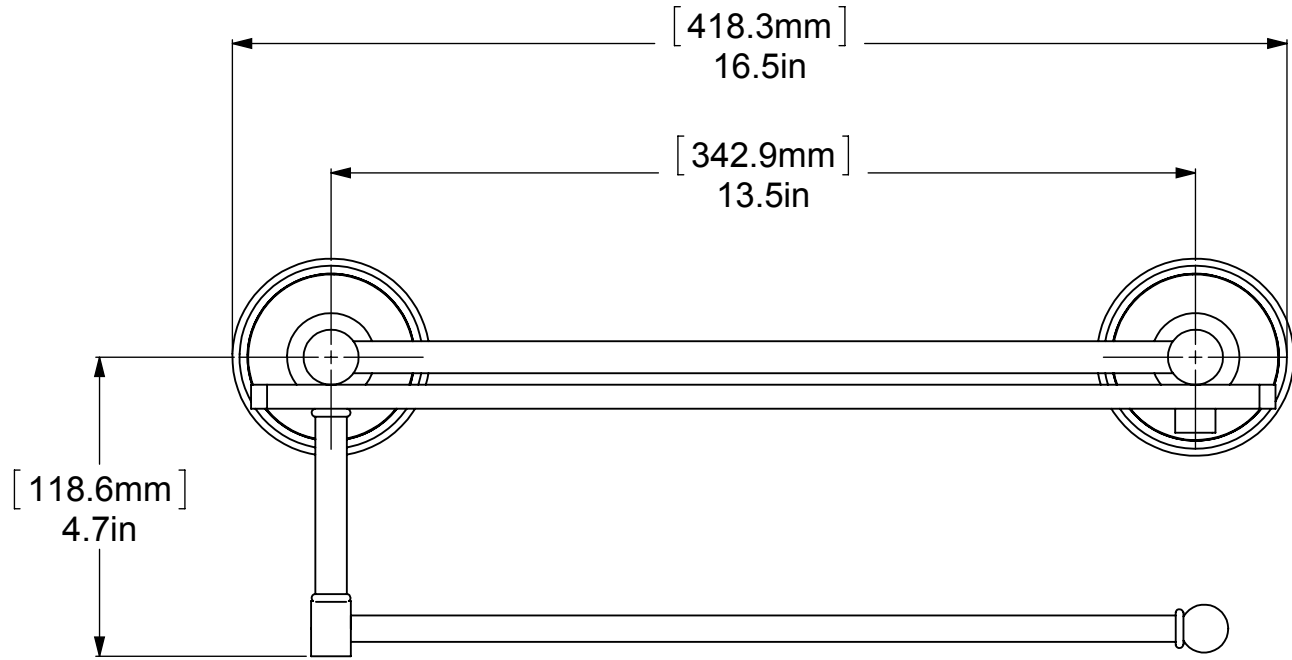
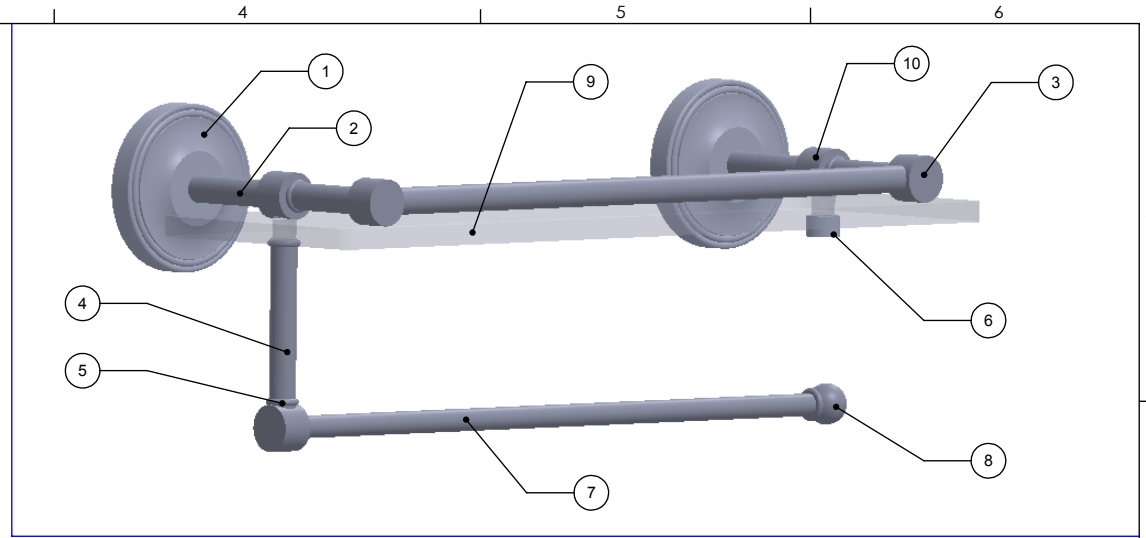

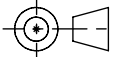


ITEM NO.	P/N	DESCRIPTION	QTY.
1	BPPR	BACKPLATE	2
2	TU12-2	TUBE SUPPORT TOP	2
3	HBBTT-78	HUB	3
4	TU12-3	VERTICAL TUBE	2
5	CRRD-12	CHECK RING	8
6	CARD-58	CAP	1
7	TU12-13.5	LOWER TUBE	2
8	BL1T-34	BALL	1
9	GLRT-16	GLASS	1
10	MR-TILT-FITT	HUB-CON	2



DRAWN	11-20-15	I.M	MATERIAL:	FINISH	TBD		
	CHECKED	11-20-15	P.D	DESCRIPTION:	QUANTITY	TBD	
COPYRIGHT © Allied Brass 2015			APPROVED	11-20-15	R.A		
 THIRD ANGLE PROJECTION			PRBP-1PT-16-GAL	PRBP-1PT-16-GAL			
			SCALE	1:3	SHEET: 01	REV	0