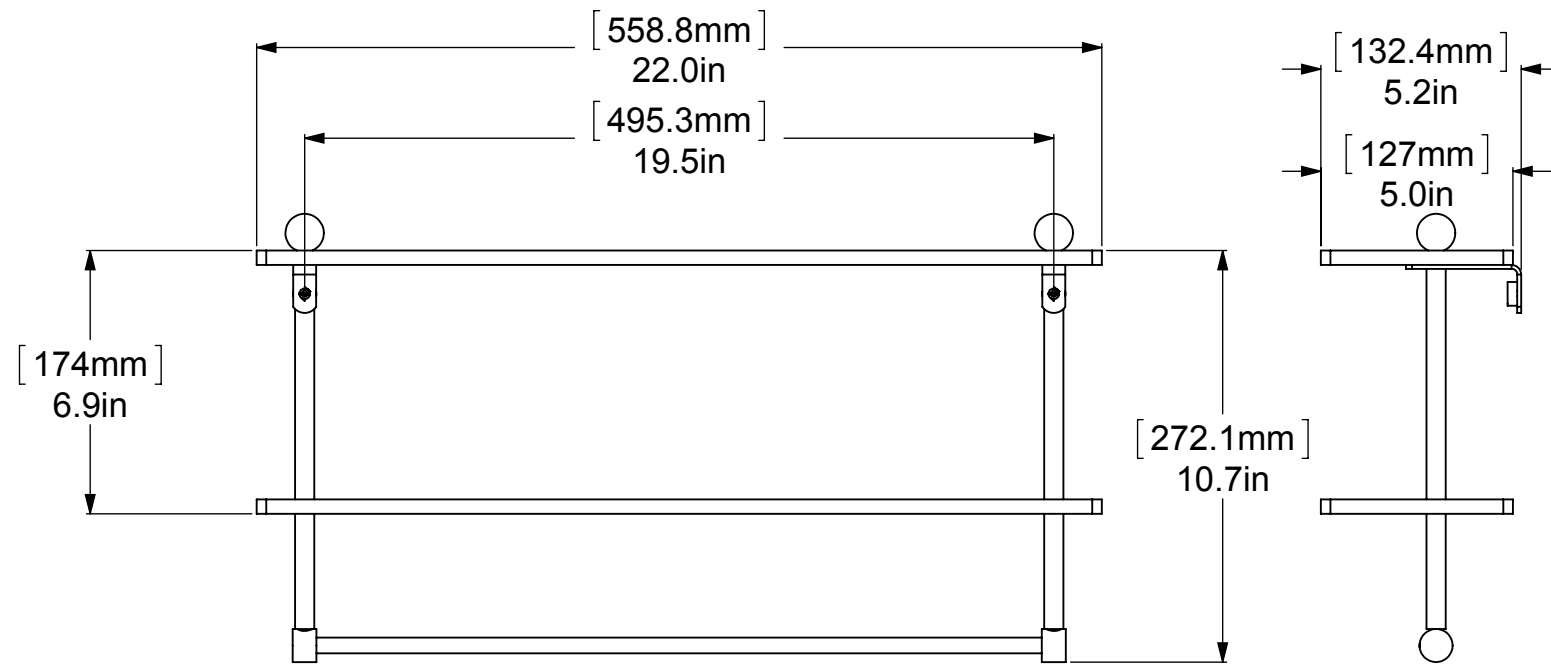
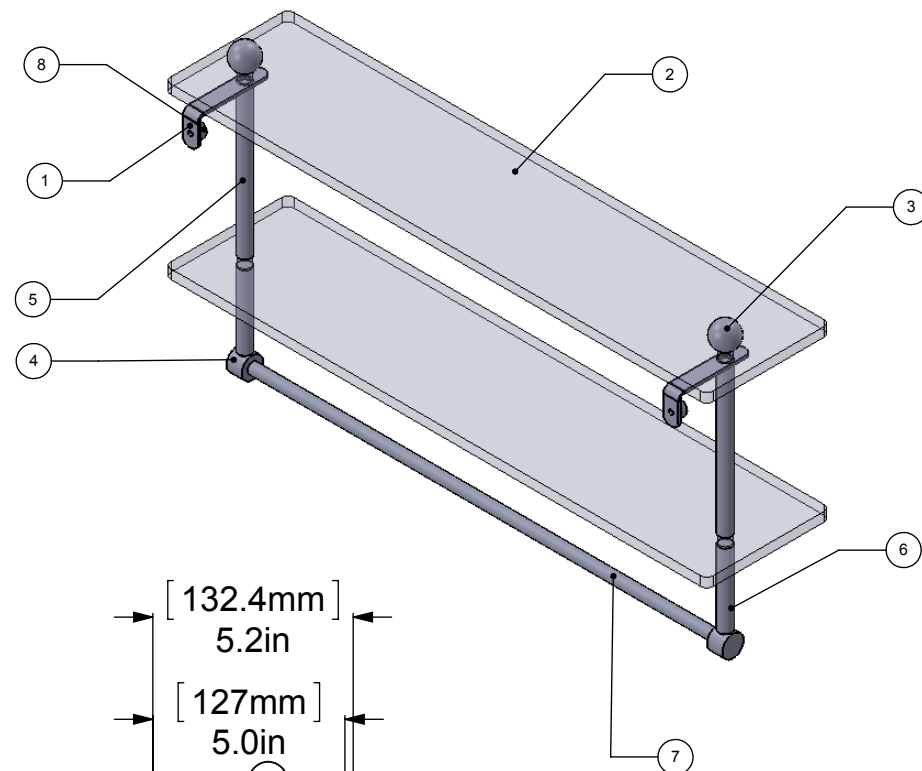


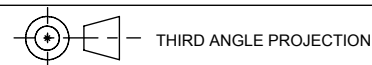
ITEM NO.	P/N	Description	QTY.
1	BKSH-2AD	BRACKET	2
2	GLRT-22	GLASS	2
3	BL1T-34	END BALL	2
4	HBBTT-78	HUB	2
5	TU12-6	TUBE SUPPORT	2
6	TU12-3	BOTTOM TUBE	2
7	TU38-19.5	TUBE	1
8	CARD-58	LOCK	2



UNLESS OTHERWISE STATED

.X	±.3mm
.XX	±.15mm
.XXX	±.008mm

COPYRIGHT © Allied Brass 2016



DRAWN	6/21/2016	I.M
CHECKED	6/21/2016	P.D
APPROVED	6/21/2016	R.A

MATERIAL:	BRASS
DESCRIPTION:	SHELF WITH TOWEL BAR



FINISH	TBD
QUANTITY	TBD
DRAWING No.	PR-2TB-22
REV	0
SCALE	1:5
SHEET: 01	A4