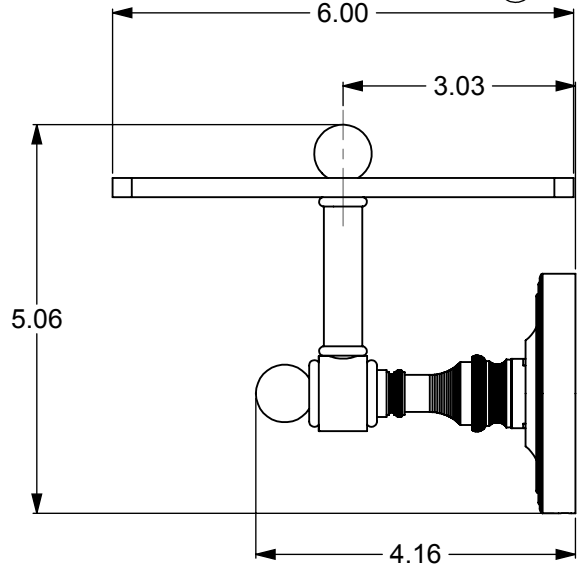
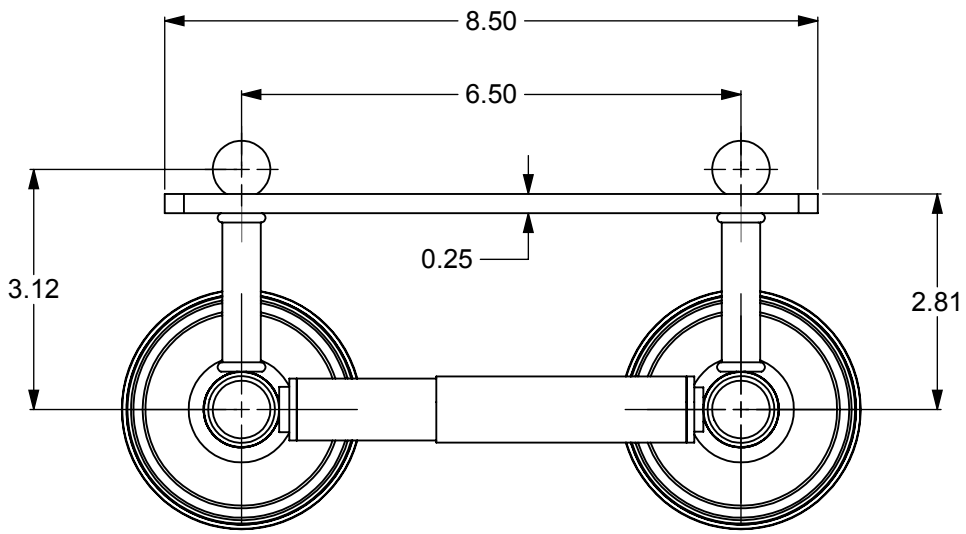
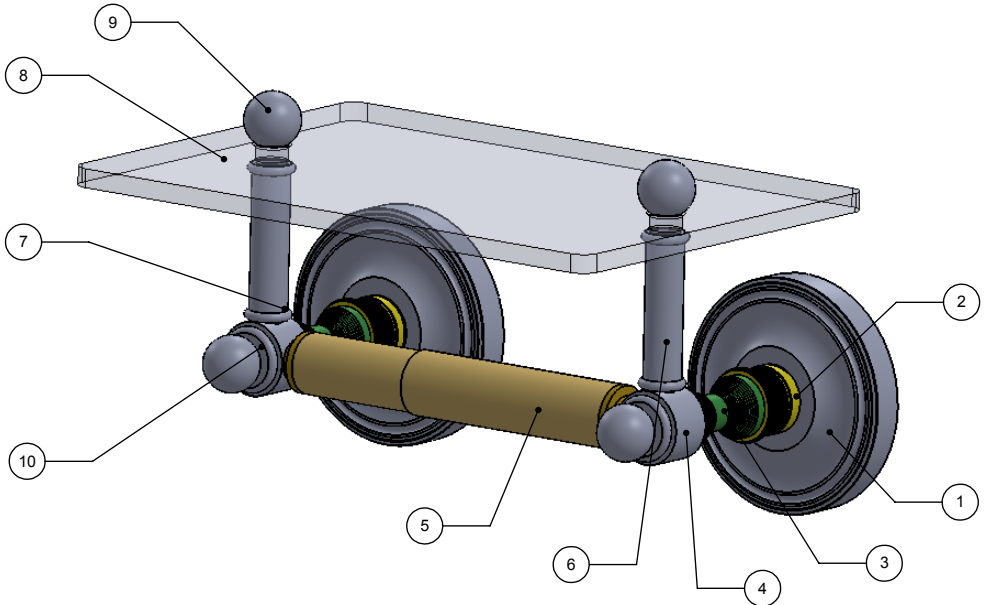


ITEM NO.	P/N	DESCRIPTION	QTY.
1	BPPR	BACKPLATE	2
2	NKSL-58	NECK BASE	2
3	NKSL-1.25	NECK	2
4	HB1T-1	HUB	2
5	RLB-SET	ROLLER SET	1
6	TU12-2	TUBE-2	2
7	CRRD-12	CHECK RING 0.5	4
8	GL-24	GLASS	1
9	BL1T-34	TOP BALL	4
10	CRRD-34	CHECK RING 0.75	4

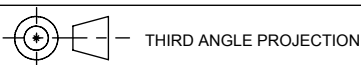


NOTE:
1. UNIT IS IN INCHES.

UNLESS OTHERWISE STATED

.X	±.3mm
.XX	±.15mm
.XXX	±.008mm

COPYRIGHT © Allied Brass 2015



DRAWN	1-13-15	I.M
CHECKED	1-13-15	P.D
APPROVED	1-13-15	R.A

MATERIAL:	BRASS
DESCRIPTION:	Toilet Paper Holder

FINISH	TBD
QUANTITY	TBD
DRAWING No.	PR-GLT-24
REV	0
SCALE	1:2.5
SHEET: 01	A4