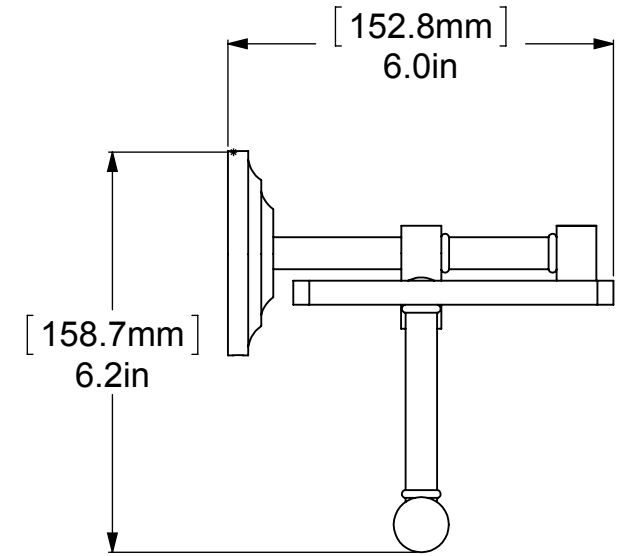
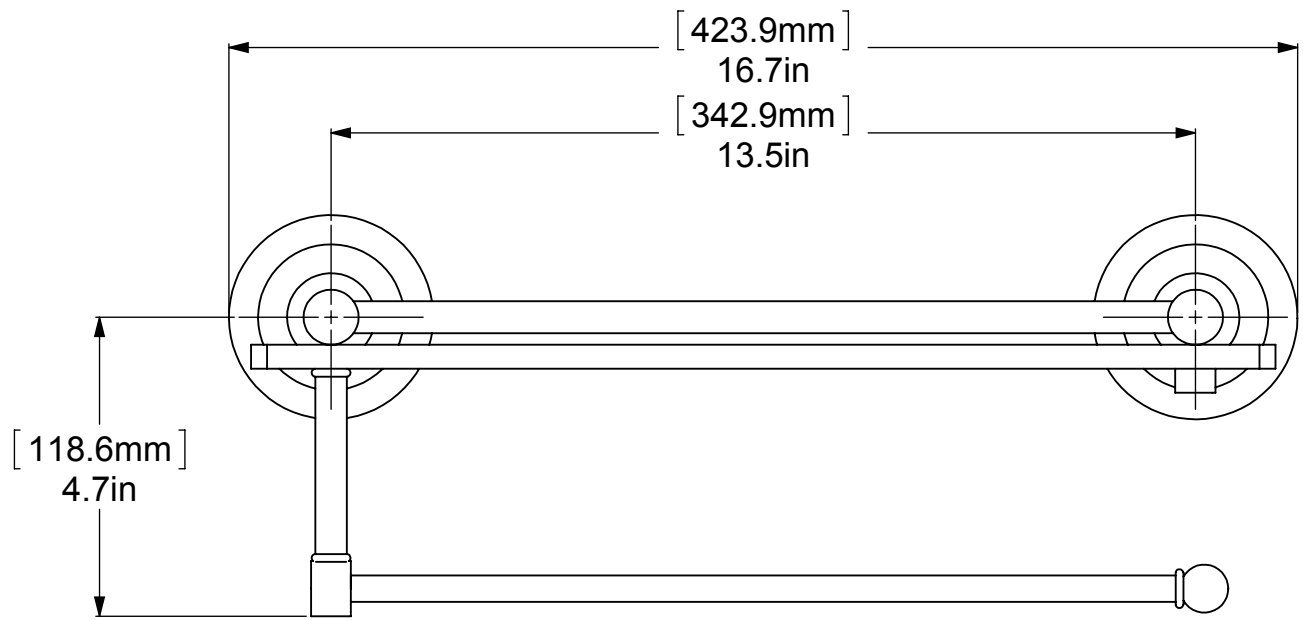
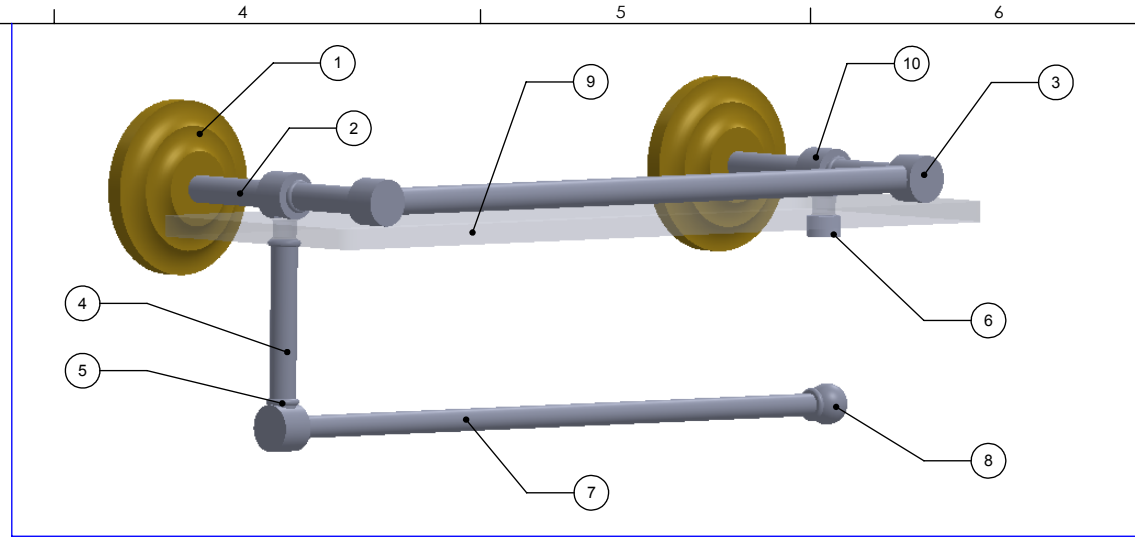



ITEM NO.	P/N	DESCRIPTION	QTY.
1	BPQN	BACKPLATE	2
2	TU12-2	TUBE SUPPORT TOP	2
3	HBBTT-78	HUB	3
4	TU12-3	VERTICAL TUBE	2
5	CRRD-12	CHECK RING	8
6	CARD-58	CAP	1
7	TU12-13.5	LOWER TUBE	2
8	BL1T-34	BALL	1
9	GLRT-16	GLASS	1
10	MR-TILT-FITT	HUB-CON	2



DRAWN 11-20-15 I.M. CHECKED 11-20-15 P.D. APPROVED 11-20-15 R.A.	MATERIAL:	FINISH	TBD
	DESCRIPTION:	QUANTITY	TBD
	PQN-1PT-16-GAL 	DRAWING No.	
PQN-1PT-16-GAL		0	
SCALE 1:3		SHEET: 01	A4

COPYRIGHT © Allied Brass 2015

