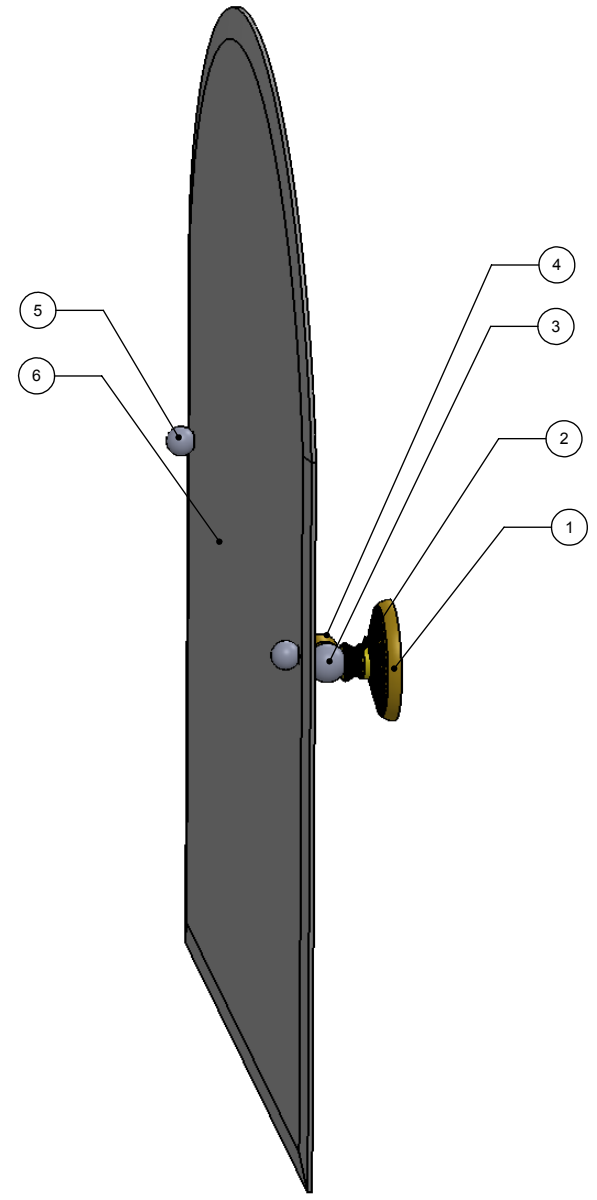
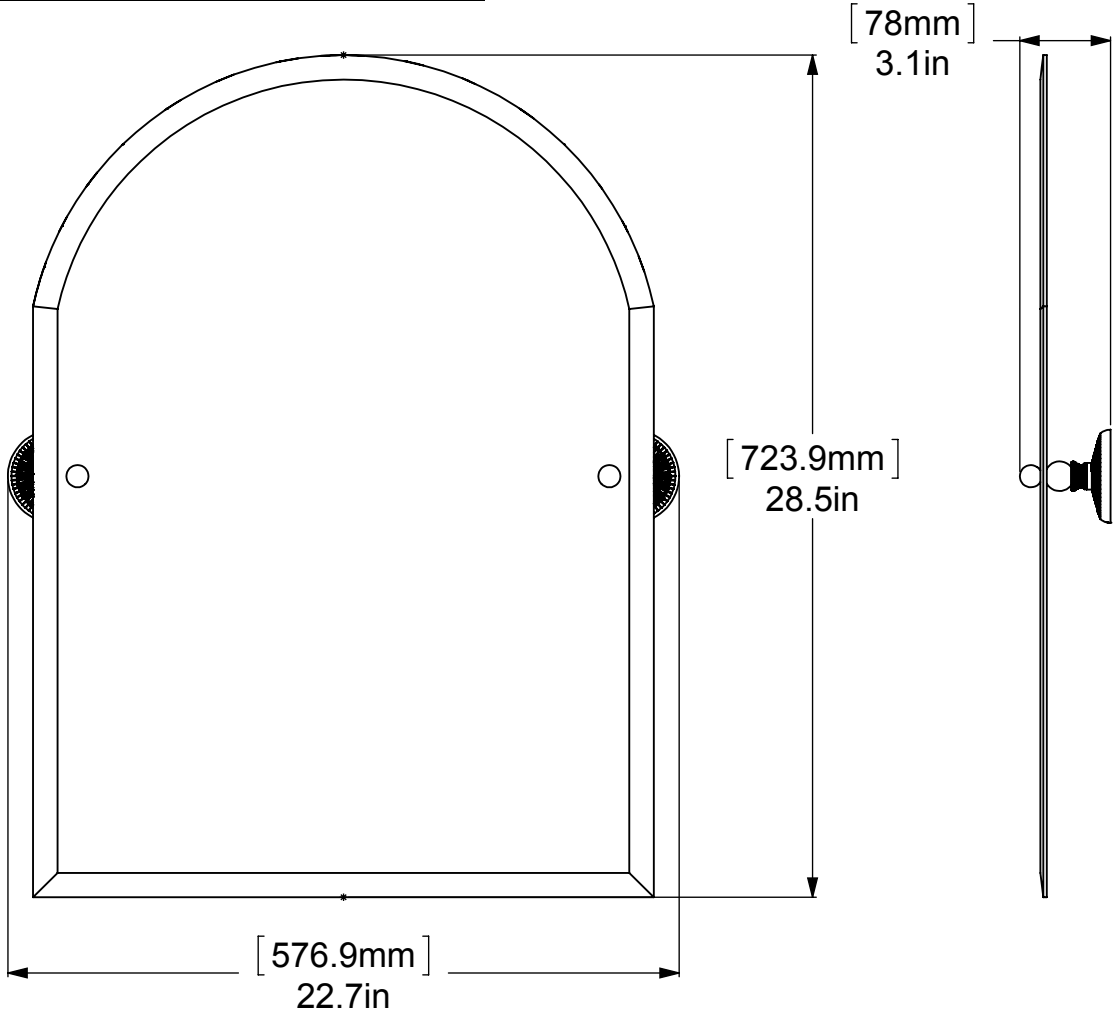


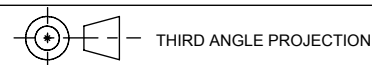
| | | | |
|---|---------|--------------|---|
| 1 | BPMC | BACKPLATE | 2 |
| 2 | NKSL-58 | SUPPORT | 2 |
| 3 | BL2T-1 | BALL SUPPORT | 2 |
| 4 | HBTT-78 | TILT | 2 |
| 5 | BL1T-34 | BALL | 2 |
| 6 | MRRT-94 | MIRROR | 1 |



UNLESS OTHERWISE STATED

| | |
|------|---------|
| .X | ±.3mm |
| .XX | ±.15mm |
| .XXX | ±.008mm |

COPYRIGHT © Allied Brass 2016



| | | |
|----------|----------|-----|
| DRAWN | 3/3/2016 | I.M |
| CHECKED | 3/3/2016 | P.D |
| APPROVED | 3/3/2016 | R.A |

| | |
|--------------|--------|
| MATERIAL: | BRASS |
| DESCRIPTION: | MIRROR |



| | |
|-------------|--------|
| FINISH | TBD |
| QUANTITY | TBD |
| DRAWING No. | PMC-94 |
| REV | 0 |
| SCALE | 1:6.5 |
| SHEET: 01 | A4 |