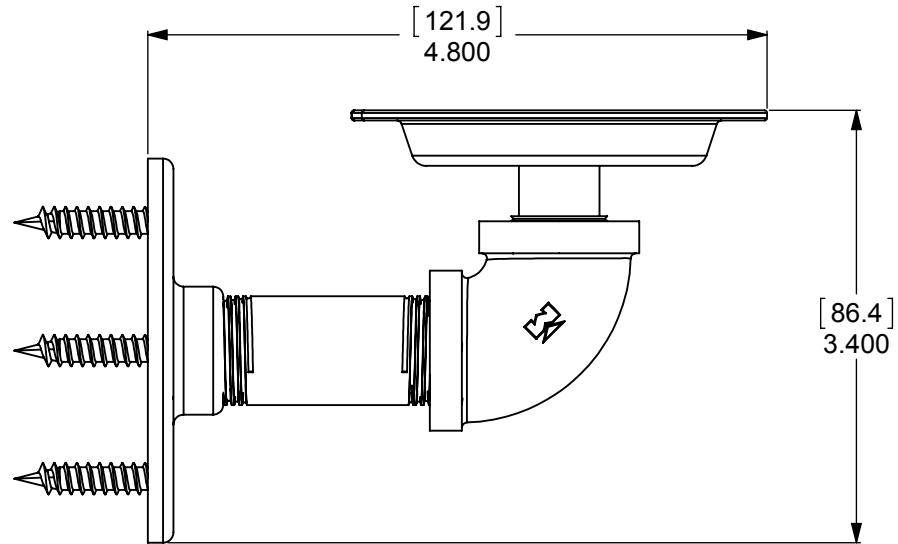
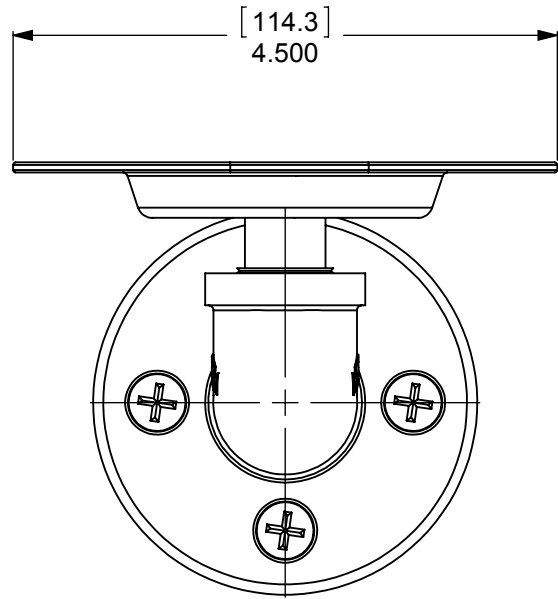
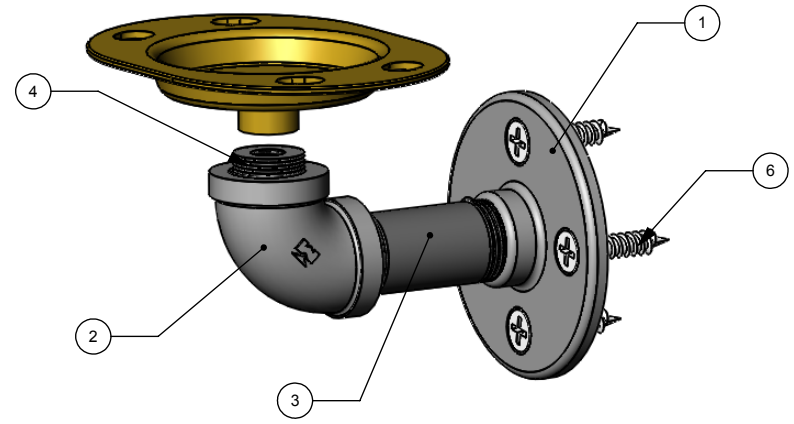


ITEM NO.	PART NUMBER	DESCRIPTION	QTY.
1	PIPE-FL12-3	1/2" FLANGE	1
2	PIPE-EL12-90	1/2" 90 DEG.ELBOW	1
3	PIPE-NIP12-3	1/2" 3" NIP	1
4	BUS-12X18	1/2" BUSHING	1
5	HROVT	TRAY	1
6	WOOD SCREW-12	#12 WOOD SCREW	4

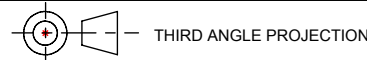



APPROVED FOR PRODUCTION
 BY: RICHARD PAUL
 DATE: 5/31/2017

UNLESS OTHERWISE STATED

.X	±.3mm
.XX	±.15mm
.XXX	±.008mm

COPYRIGHT © Allied Brass 2017



DRAWN	5/31/2017	I.M	MATERIAL:	BRASS	FINISH	TBD
CHECKED	5/31/2017	P.D	DESCRIPTION:		QUANTITY	TBD
APPROVED	5/31/2017	R.A	Pipeline Collection Wall Mounted Toothbrush Holder		DRAWING No.	REV
					P-650-WTH	
					SCALE	1:1.5
					SHEET: 01	A4