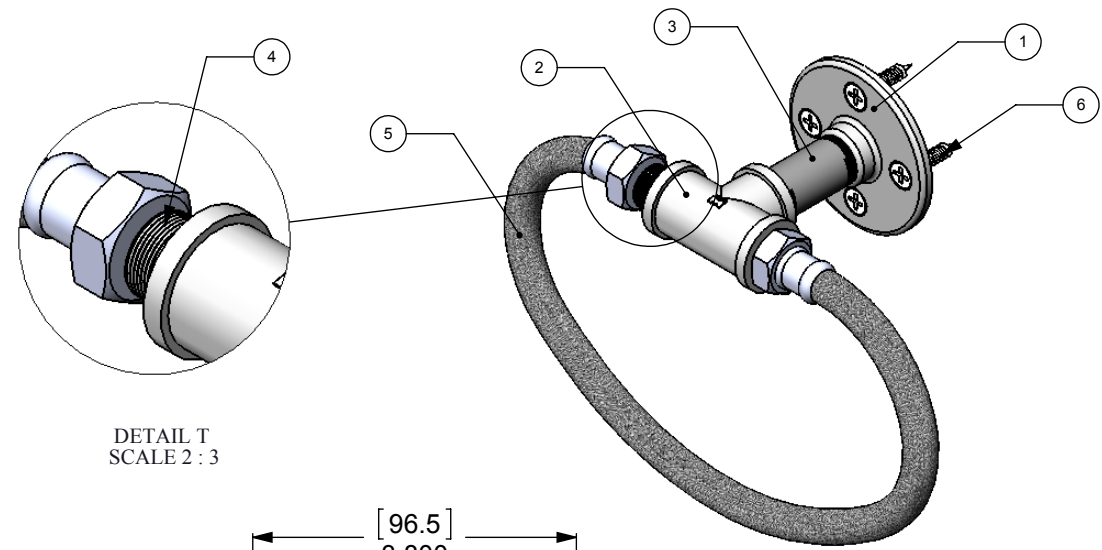
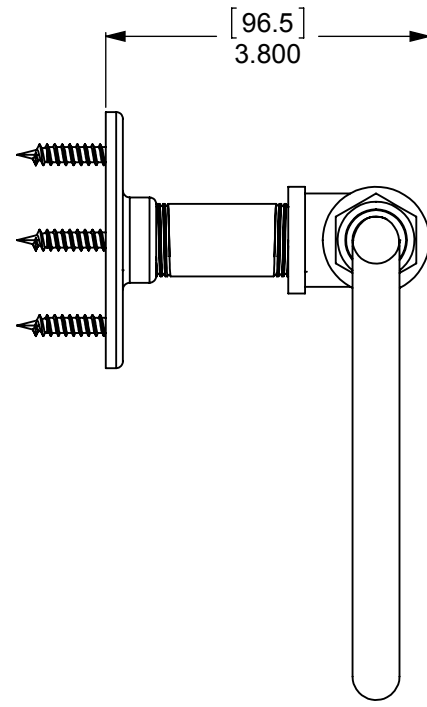
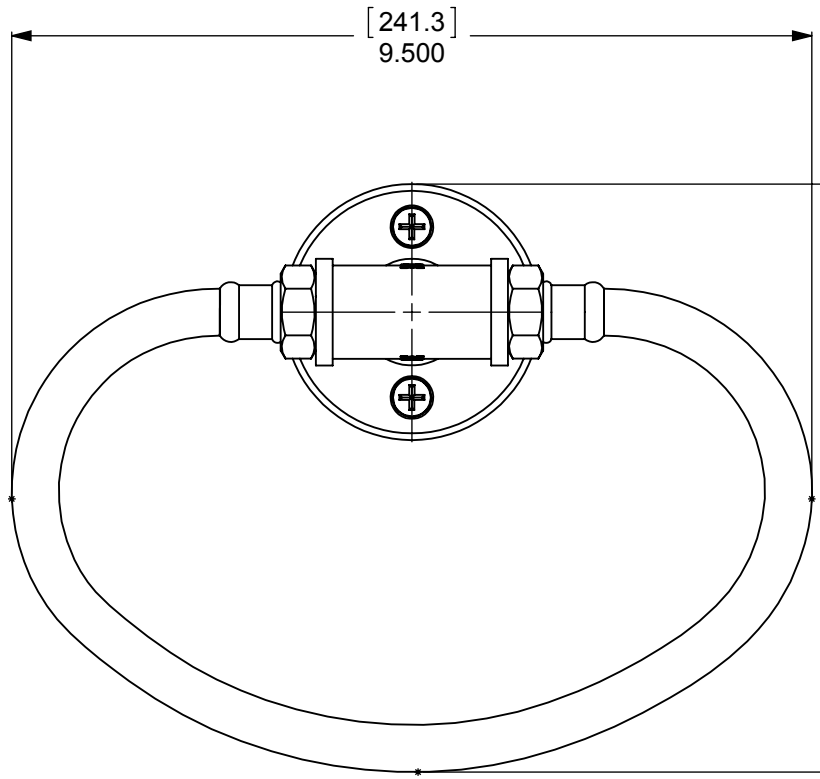


TEM NO	PART NO.	DESCRIPTION	QTY.
1	PIPE-FL12-3	1/2" FLANGE	1
2	PIPE-TEE-12	1/2" TEE	1
3	PIPE-NIP12-2.5	1/2" 2 1/2" NIP	1
4	BUS-12X18	1/2" BUSHING	2
5	PIPE-HOS-20	1/2" S.S. BRAIDED HOSE	1
6	WOOD-SCREW-12	#12 WOOD SCREW	4



DETAIL T
SCALE 2 : 3

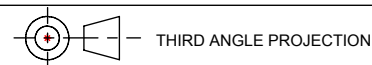


APPROVED FOR PRODUCTION
BY: RICHARD PAUL
DATE: 6/7/2017

UNLESS OTHERWISE STATED

.X	±.3mm
.XX	±.15mm
.XXX	±.008mm

COPYRIGHT © Allied Brass 2017



DRAWN	6/7/2017	I.M
CHECKED	6/7/2017	P.D
APPROVED	6/7/2017	R.A

MATERIAL: BRASS
DESCRIPTION: Pipeline Collection Towel Ring with Stainless Steel Braided Ring



FINISH	TBD
QUANTITY	TBD
DRAWING No.	REV
P-500-RG	0
SCALE	1:1
SHEET: 01	A4