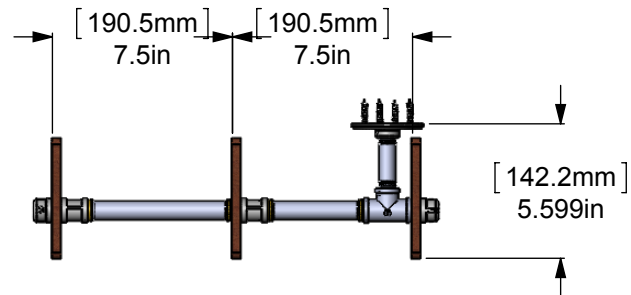
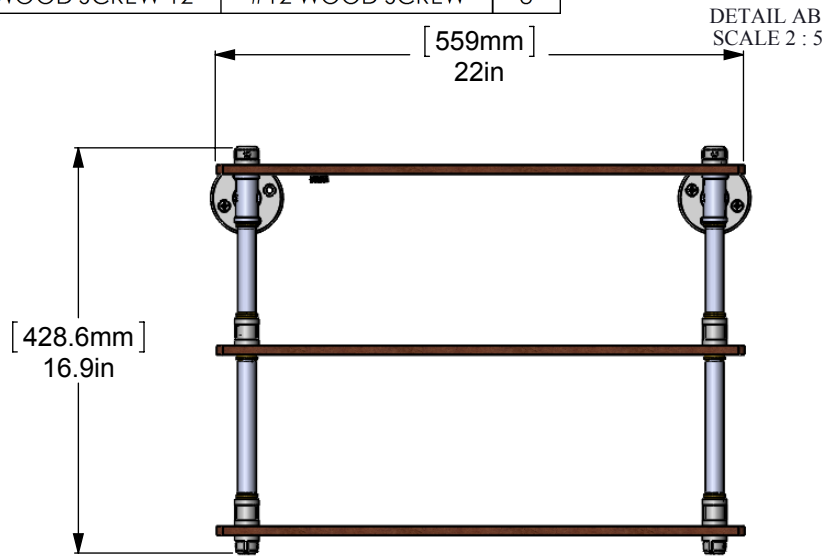
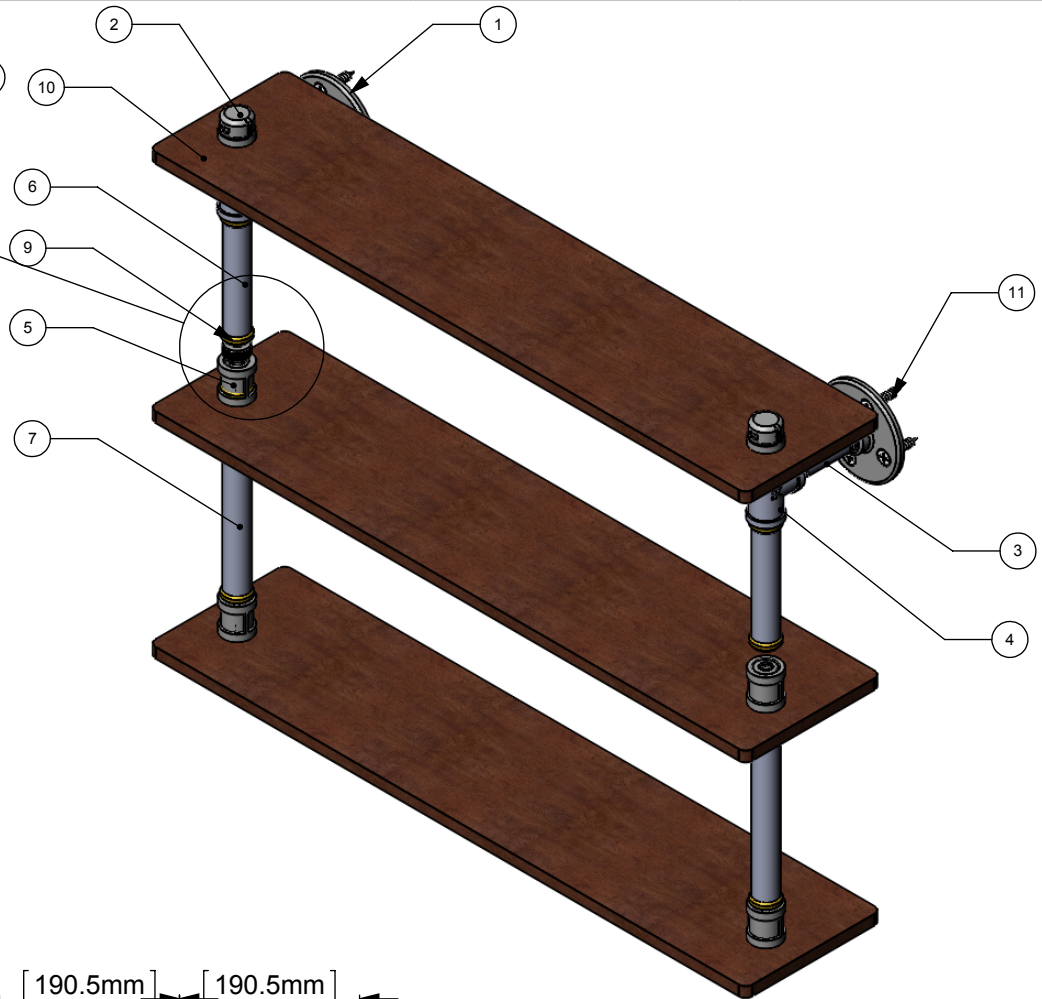
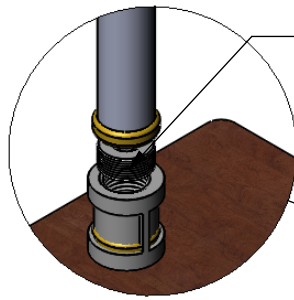


ITEM NO.	PART NUMBER	DESCRIPTION	QTY.
1	PIPE-FL38-3	3/8" FLANGE	2
2	PIPE-CAP-38	3/8" CAP	4
3	PIPE-NIP38-2.5	3/8" 2 1/2" NIP	2
4	PIPE-TEE-38	3/8" TEE	2
5	PIPE-CU-38	3/8" CUPLING	4
6	TU34-4	3/4" TUBE 4"	2
7	TU34-6	3/4" TUBE 6"	2
8	BUS-38X18	3/8" BUSHING	18
9	CRRD2-34	3/4" DOUBLE CK RING	8
10	IRWRT-22	IPE SHELF 22"	3
11	WOOD SCREW-12	#12 WOOD SCREW	8

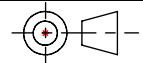


APPROVED FOR PRODUCTION
 BY: RICHARD PAUL
 DATE: 6/8/2017


UNLESS OTHERWISE STATED

.X	±.3mm
.XX	±.15mm
.XXX	±.008mm

COPYRIGHT © Allied Brass 2017



THIRD ANGLE PROJECTION

DRAWN	6/6/2017	I.M	MATERIAL:	BRASS	FINISH	TBD
CHECKED	6/6/2017	P.D	DESCRIPTION:		QUANTITY	TBD
APPROVED	6/6/2017	R.A	Pipeline Collection Triple IPE Shelf		DRAWING No.	REV
					P-490-22-TWS	0
				SCALE	1:6	SHEET: 01 A4