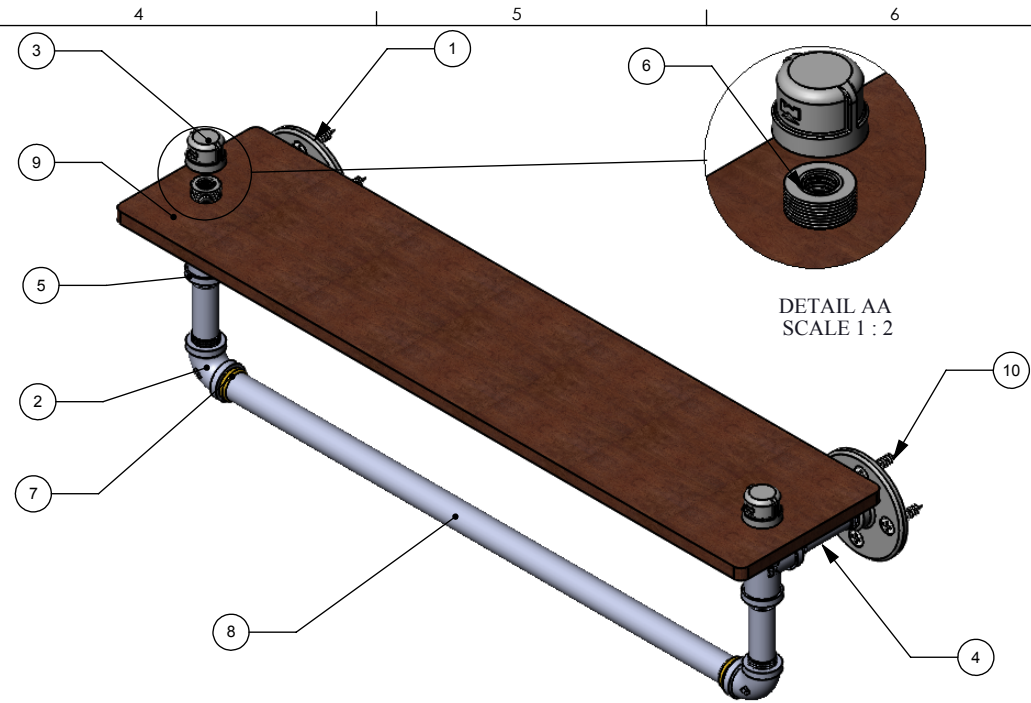
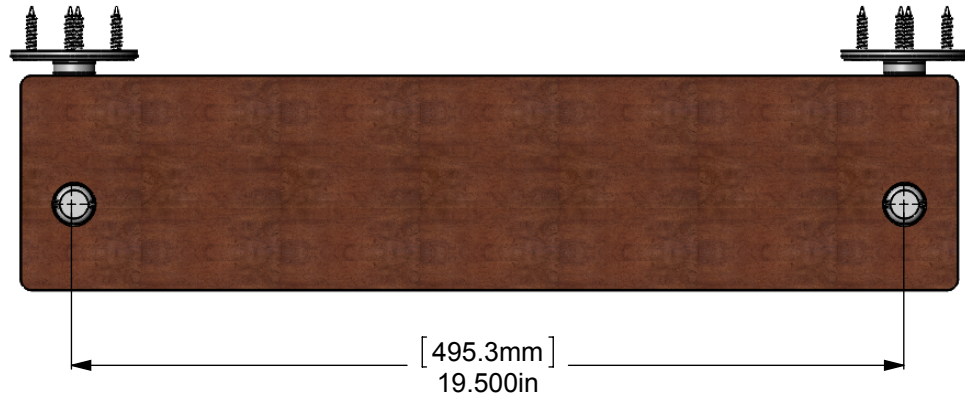
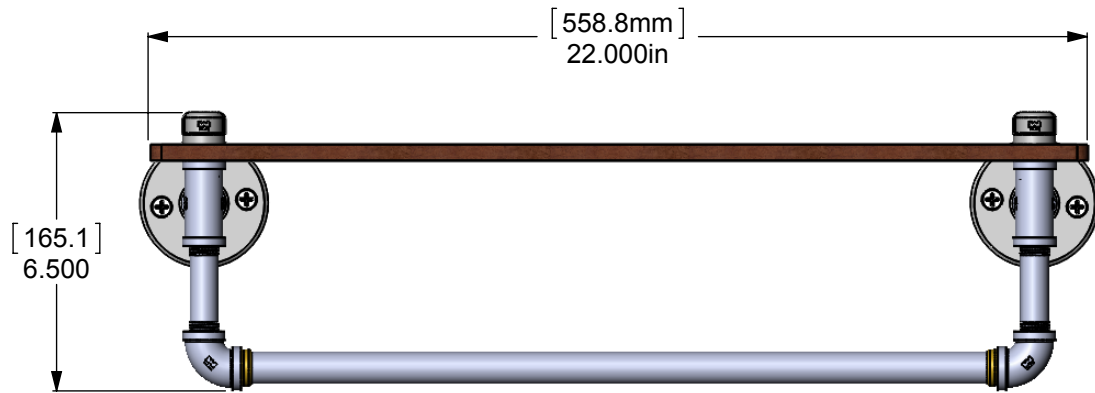
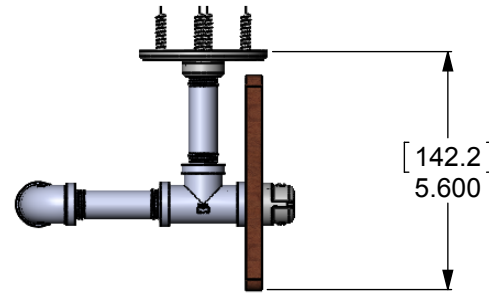


ITEM NO.	PART NUMBER	DESCRIPTION	QTY.
1	PIPE-FL38-3	3/8" FLANGE	2
2	PIPE-EL38-90	3/8" 90 DEG. ELBOW	2
3	PIPE-CAP-38	3/8" CAP	2
4	PIPE-NIP38-2.5	3/8" 2 1/2" NIP	4
5	PIPE-TEE-38	3/8" TEE	2
6	BUS-38X18	3/8" BUSHING	6
7	CRRD2-34	3/4" DOUBLE CK RING	2
8	TU34-19	3/4" TUBE 19"	1
9	IRWRT-22	IPE SHELF 22"	1
10	WOOD SCREW-12	#12 WOOD SCREW	8



DETAIL AA
SCALE 1 : 2



APPROVED FOR PRODUCTION
BY: RICHARD PAUL
DATE: 5/27/2017

UNLESS OTHERWISE STATED

.X	±.3mm
.XX	±.15mm
.XXX	±.008mm

COPYRIGHT © Allied Brass 2017



DRAWN	5/27/2017	I.M
CHECKED	5/27/2017	P.D
APPROVED	5/27/2017	R.A

MATERIAL:	BRASS
DESCRIPTION:	Pipeline Collection Ironwood Shelf with Towel Bar

FINISH	TBD
QUANTITY	TBD
DRAWING No.	REV
P-460-22-WSTB	0
SCALE	1:5 SHEET: 01 A4