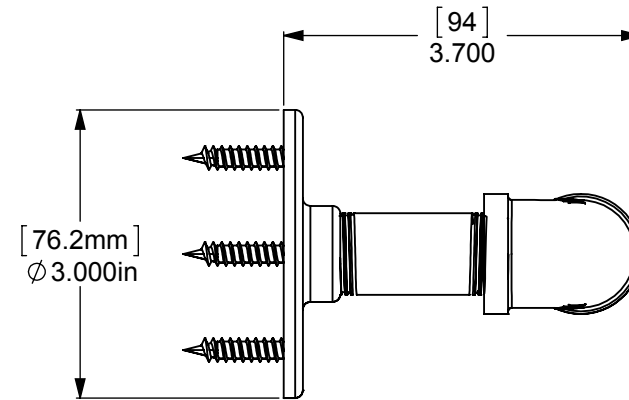
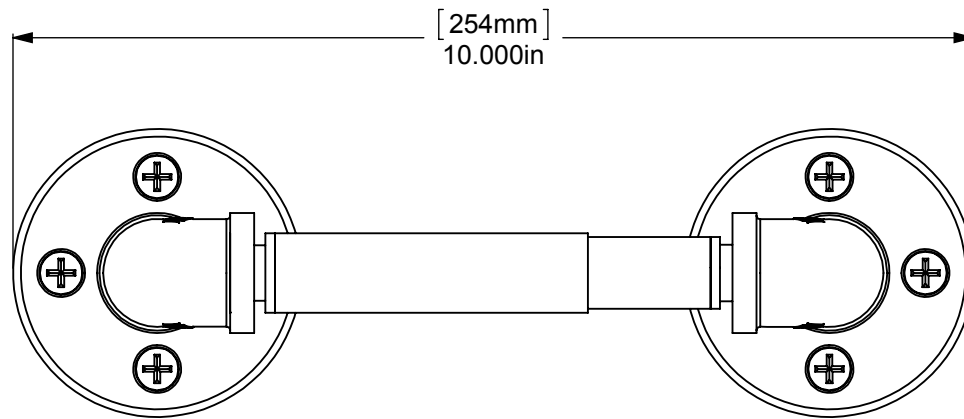
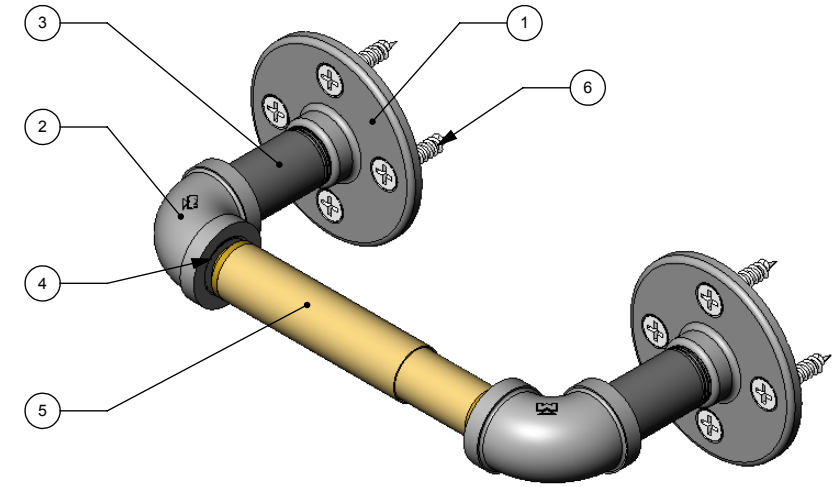


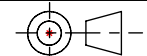
ITEM NO.	PART NUMBER	DESCRIPTION	QTY.
1	PIPE-FL12-3	1/2" FLANGE	2
2	PIPE-EL12-90	1/2" 90 DEG.ELBOW	2
3	PIPE-NIP12-2.5	1/2" 2 1/2" NIP	2
4	BUS-12X18	1/2" BUSHING	2
5	RLB-SET	TP ROLLER SET	1
6	WOOD SCREW-12	#12 WOOD SCREW	8




UNLESS OTHERWISE STATED

.X	±.3mm
.XX	±.15mm
.XXX	±.008mm

COPYRIGHT © Allied Brass 2017



THIRD ANGLE PROJECTION

DRAWN	5/23/2017	I.M	MATERIAL:	BRASS	FINISH	TBD
CHECKED	5/23/2017	P.D	DESCRIPTION:		QUANTITY	TBD
APPROVED	5/23/2017	R.A	Pipeline Collection 2 Post Toilet Paper Holder		DRAWING No.	REV
					P-120-TP	
					SCALE	1:2 SHEET: 01 A4

APPROVED FOR PRODUCTION

BY: RICHARD PAUL
DATE: 5/23/2017