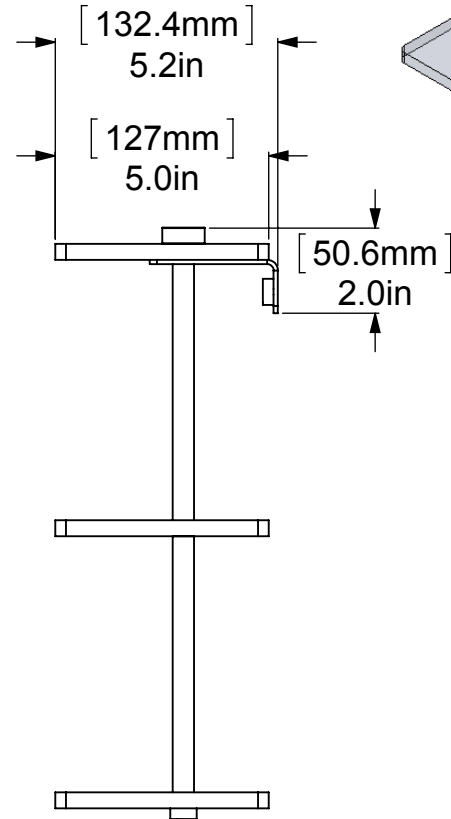
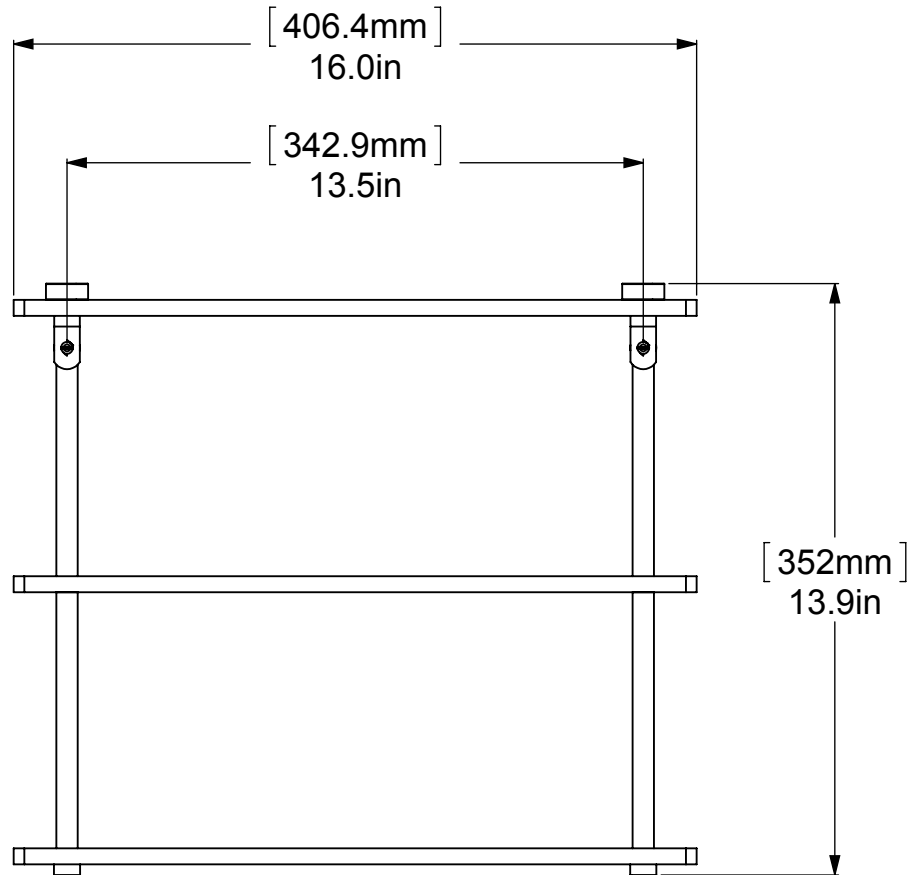
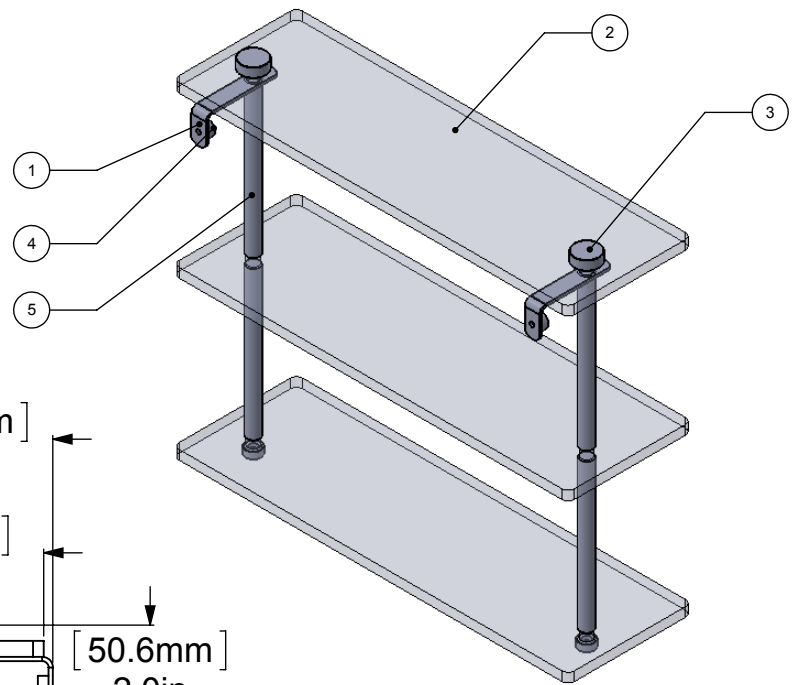


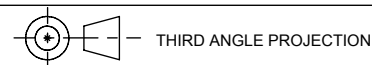
ITEM NO.	P/N	Description	QTY.
1	BKSH-2AD	BRACKET	2
2	GLRT-16	GLASS	3
3	CARD-1	END CAP	2
4	CARD-58	LOCK	4
5	TU12-6	TUBE	4



UNLESS OTHERWISE STATED

.X	±.3mm
.XX	±.15mm
.XXX	±.008mm

COPYRIGHT © Allied Brass 2016



DRAWN	6/29/2016	I.M
CHECKED	6/29/2016	P.D
APPROVED	6/29/2016	R.A

MATERIAL:	BRASS
DESCRIPTION:	SHELF



FINISH	TBD
QUANTITY	TBD
DRAWING No.	REV
NS-5-16	0
SCALE	1:4.5 SHEET: 01 A4