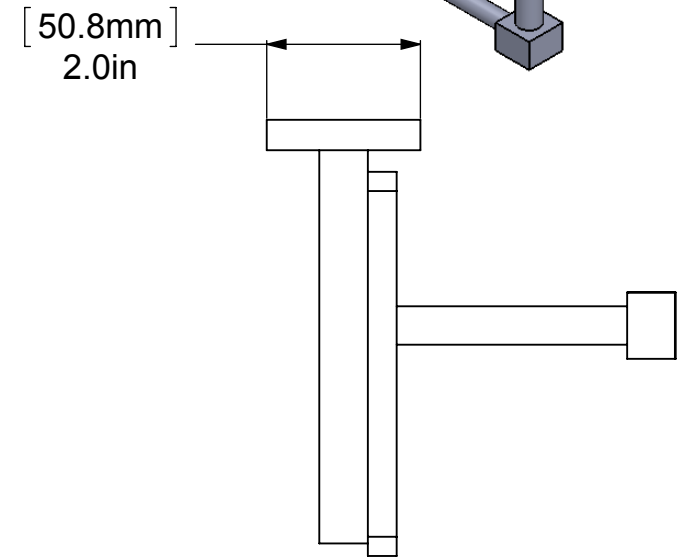
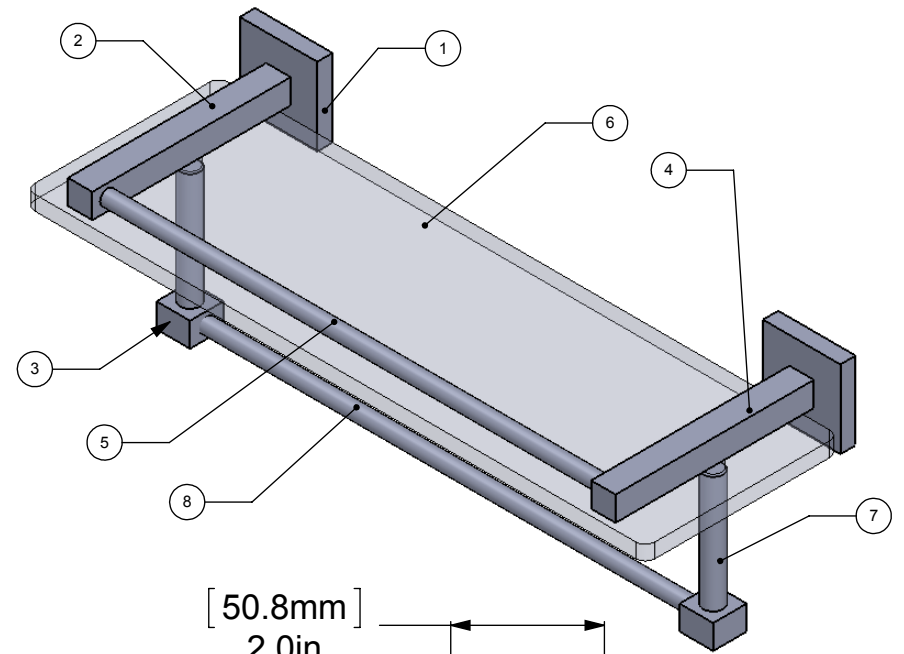


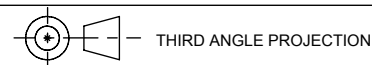
ITEM NO.	P/N	Description	QTY.
1	BPSQ	BACKPLATE	2
2	SHSQL-5	Neck Left	1
3	HBSQ-78	HUB	2
4	SHSQR-5	Neck Right	1
5	TU38-18	TUBE	1
6	GLRT-16	GLASS	1
7	TU12-3	SUPPOR TUBE	2
8	TU12-18	BAR	1



UNLESS OTHERWISE STATED

.X	±.3mm
.XX	±.15mm
.XXX	±.008mm

COPYRIGHT © Allied Brass 2016



DRAWN	4/30/2016	I.M
CHECKED	4/30/2016	P.D
APPROVED	4/30/2016	R.A

MATERIAL:	BRASS
DESCRIPTION:	SHELF WITH TOWEL BAR



FINISH	TBD
QUANTITY	TBD
DRAWING No.	REV
MT1-16TB-GAL	0
SCALE	1:2.5
SHEET: 01	A4