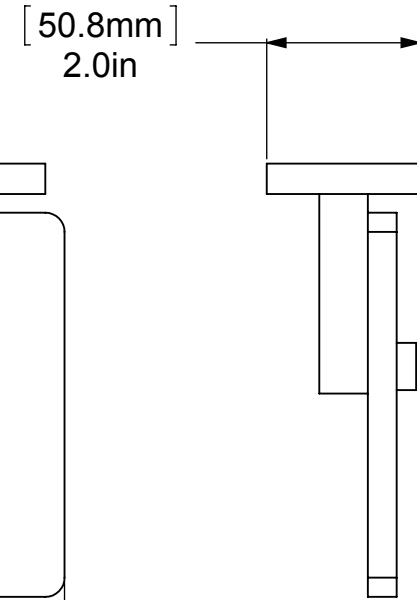
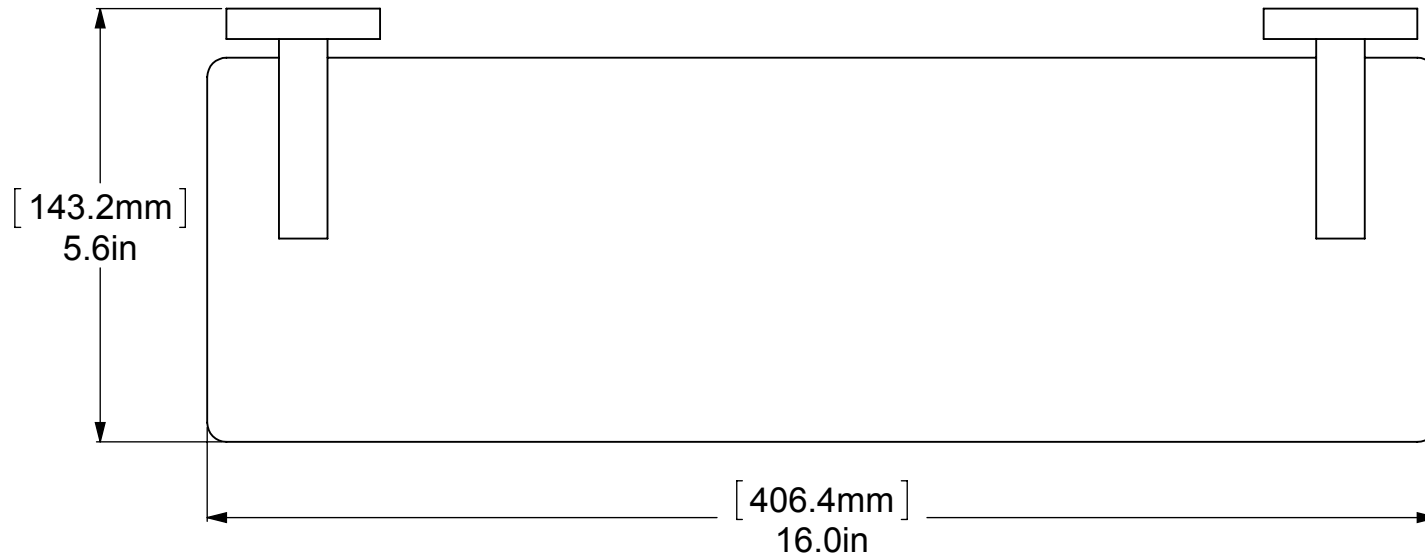
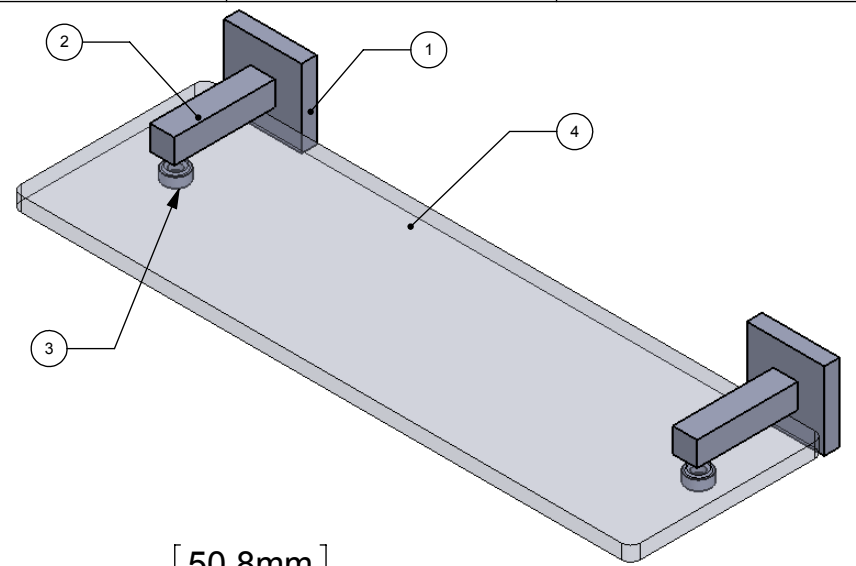


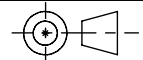
ITEM NO.	P/N	Description	QTY.
1	BPSQ	BACKPLATE	2
2	HKSQ-2.5	Neck	2
3	CARD-58	LOCK	2
4	GLRT-16	GLASS	1



UNLESS OTHERWISE STATED

.X	±.3mm
.XX	±.15mm
.XXX	±.008mm

COPYRIGHT © Allied Brass 2016



THIRD ANGLE PROJECTION

DRAWN	4/28/2016	I.M	MATERIAL:	BRASS	FINISH	TBD	
CHECKED	4/28/2016	P.D	DESCRIPTION:	SHELF	QUANTITY	TBD	
APPROVED	4/28/2016	R.A			DRAWING No.	REV	
					MT1-16		
					SCALE	1:2.5	SHEET: 01