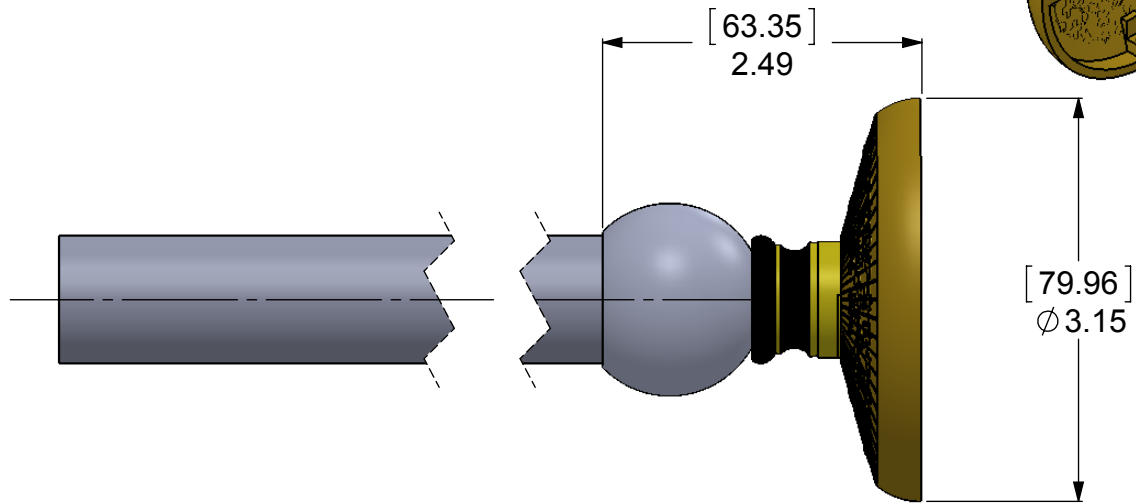
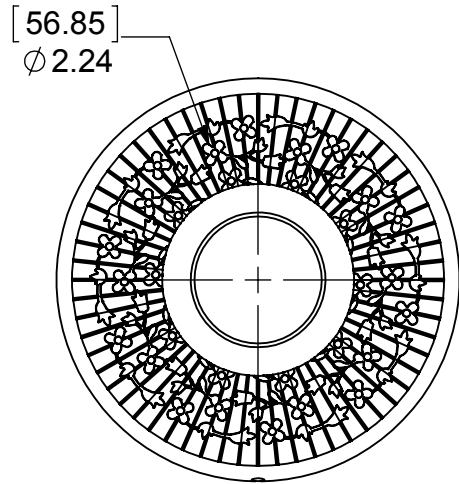
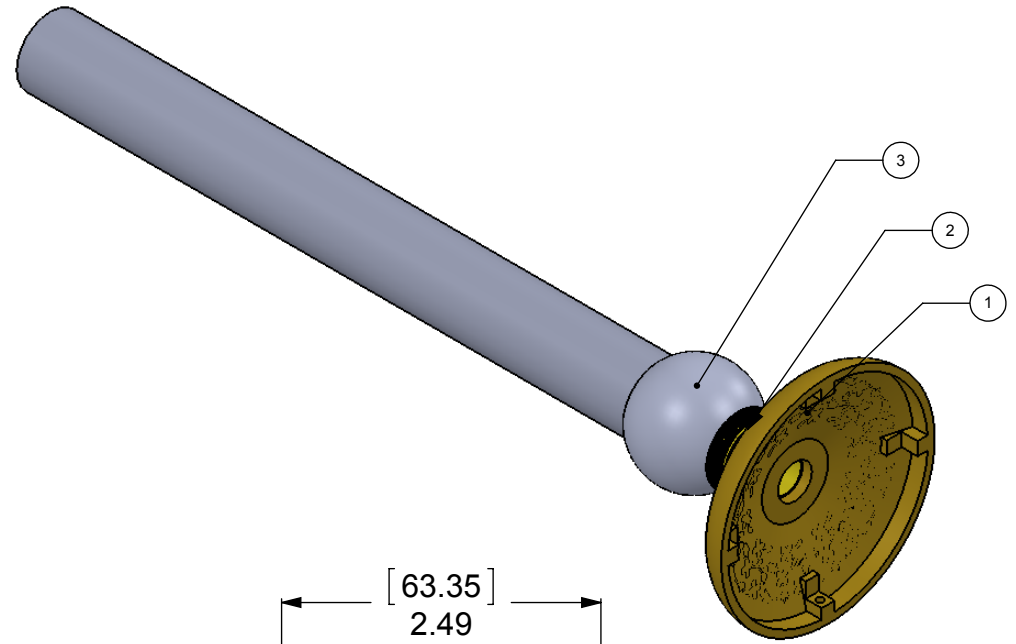


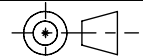
ITEM NO.	P/N	DESCRIPTION	QTY.
1	BPMC	Base	1
2	NKSL-58	Support	1
3	BL99-SR	CONNECTOR	1



UNLESS OTHERWISE STATED

.X	±.3mm
.XX	±.15mm
.XXX	±.008mm

COPYRIGHT © Allied Brass 2016



THIRD ANGLE PROJECTION

DRAWN	2-18-16	I.M
CHECKED	2-18-16	P.D
APPROVED	2-18-16	R.A

MATERIAL: BRASS  
DESCRIPTION: SHOWER CURTAIN ESCUTCHEON



NOTE:  
1. UNIT IS IN MM.

FINISH	TBD
QUANTITY	TBD
DRAWING No.	REV
MC-99	0
SCALE	1:2.5
SHEET: 01	A4