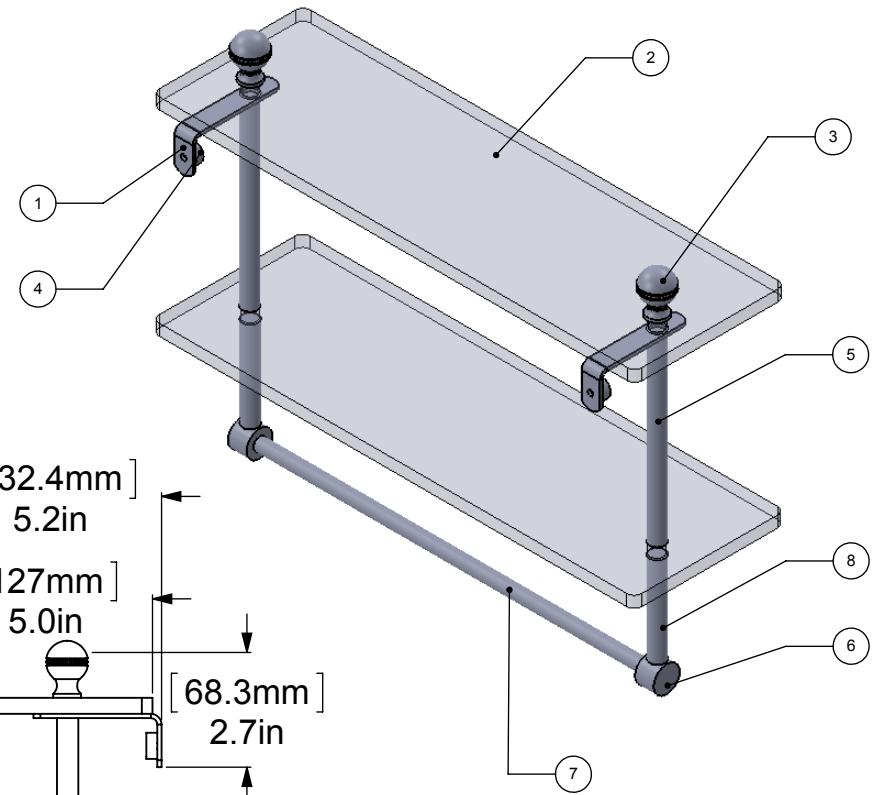
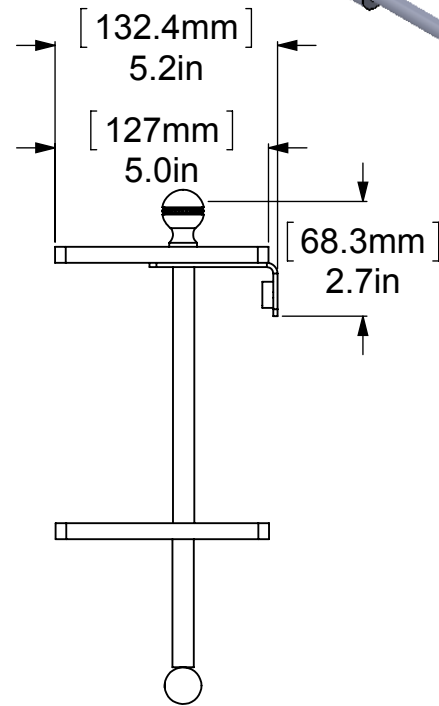
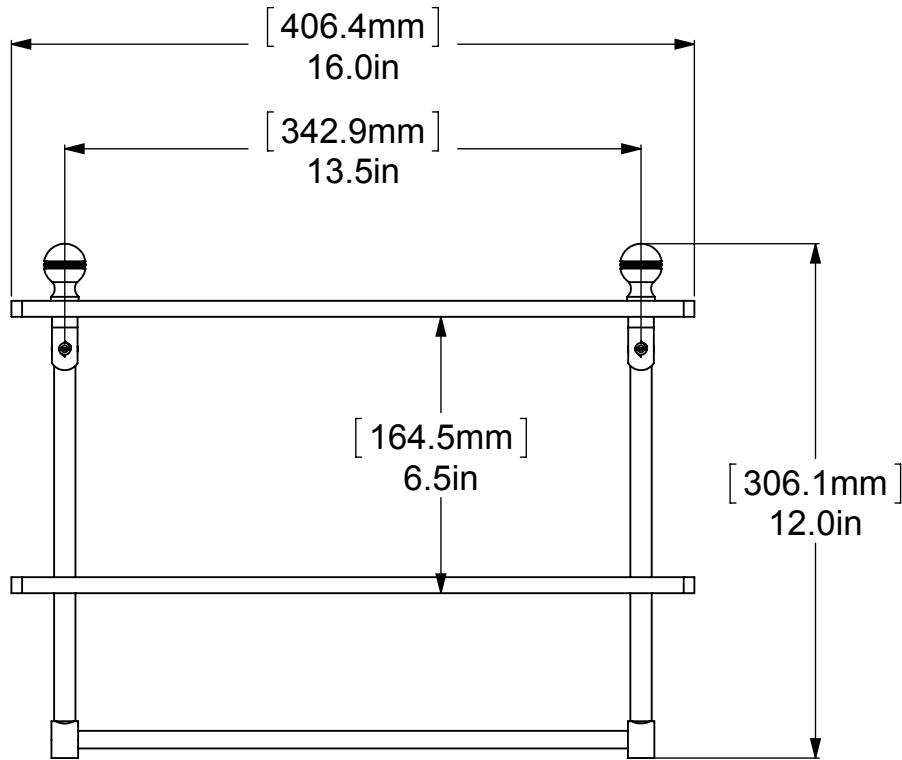


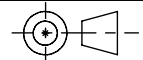
ITEM NO.	P/N	Description	QTY.
1	BKSH-2AD	BRACKET	2
2	GLRT-16	GLASS	2
3	MA-FT	END CAP	2
4	CARD-58	LOCK	2
5	TU12-6	TUBE SUPPORT	2
6	HBBTT-78	END HUB	2
7	TU38-13.5	TUBE	1
8	TU12-3	TUBE	2




UNLESS OTHERWISE STATED

.X	±.3mm
.XX	±.15mm
.XXX	±.008mm

COPYRIGHT © Allied Brass 2016



THIRD ANGLE PROJECTION

DRAWN	7/9/2016	I.M	MATERIAL:	BRASS	FINISH	TBD
CHECKED	7/9/2016	P.D	DESCRIPTION:		QUANTITY	TBD
APPROVED	7/9/2016	R.A	SHELF WITH TOWEL BAR		DRAWING No.	REV
					MA-2-16TB	0
				SCALE	1:4.5	SHEET: 01 A4