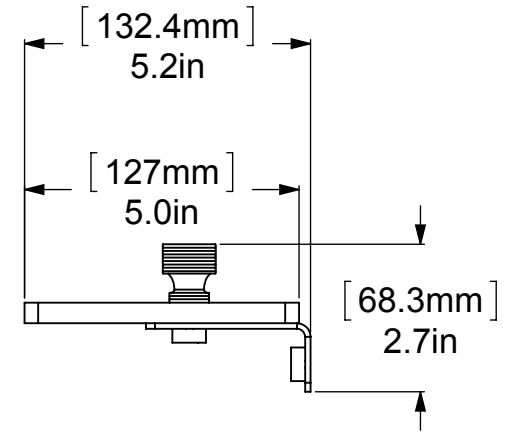
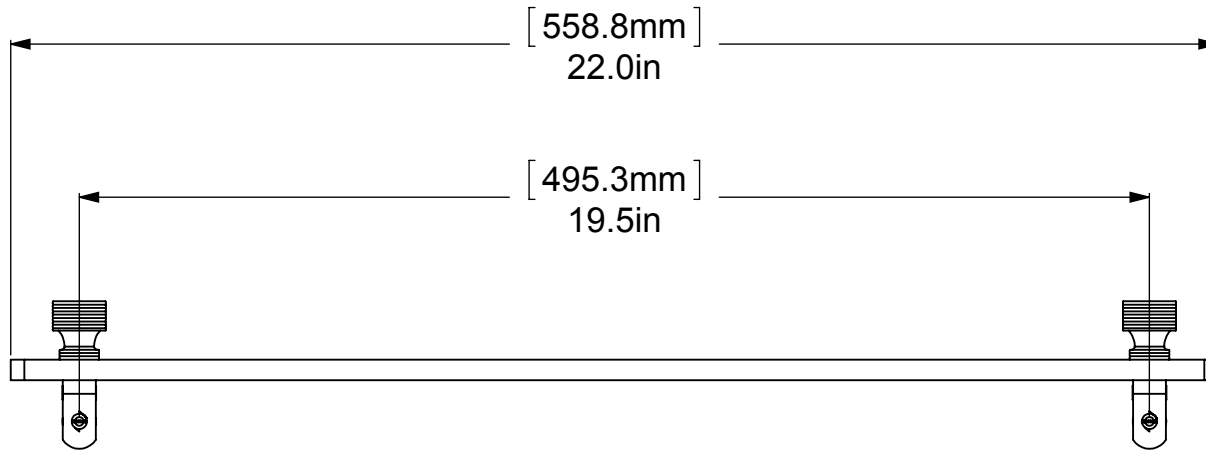
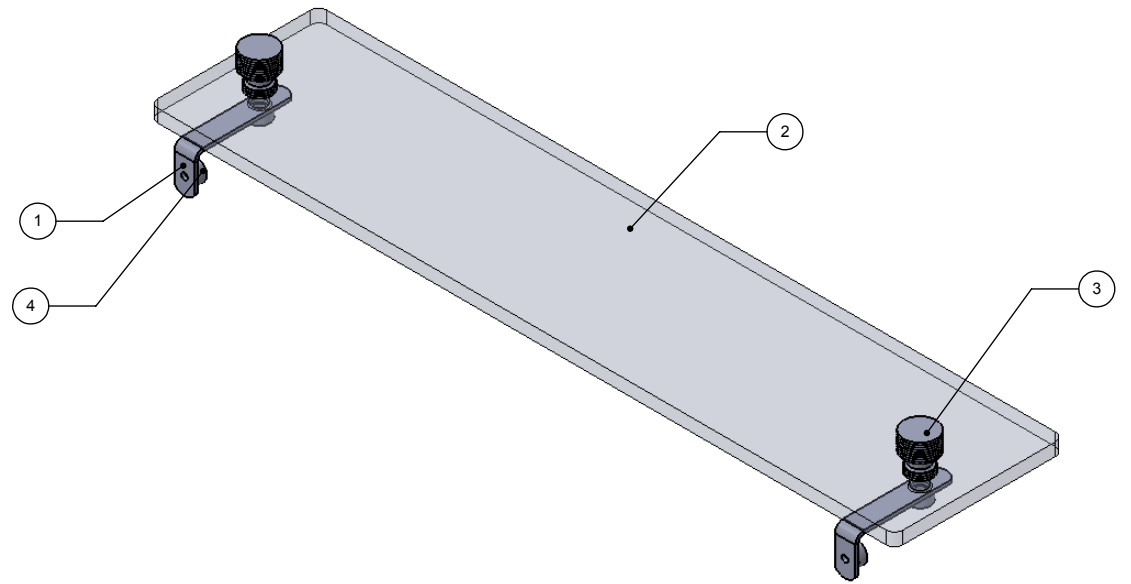


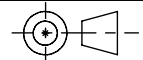
ITEM NO.	P/N	Description	QTY.
1	BKSH-2AD	BRACKET	2
2	GLRT-22	GLASS	2
3	FT-FT	END CAP	2
4	CARD-58	LOCK	4



UNLESS OTHERWISE STATED

.X	$\pm .3\text{mm}$
.XX	$\pm .15\text{mm}$
.XXX	$\pm .008\text{mm}$

COPYRIGHT © Allied Brass 2016



THIRD ANGLE PROJECTION

DRAWN	7/5/2016	I.M
CHECKED	7/5/2016	P.D
APPROVED	7/5/2016	R.A

MATERIAL:	BRASS		FINISH	TBD
DESCRIPTION:	SHELF		QUANTITY	TBD
			DRAWING No.	
			FT-1-22	
SCALE		1:3.5	SHEET: 01	A4