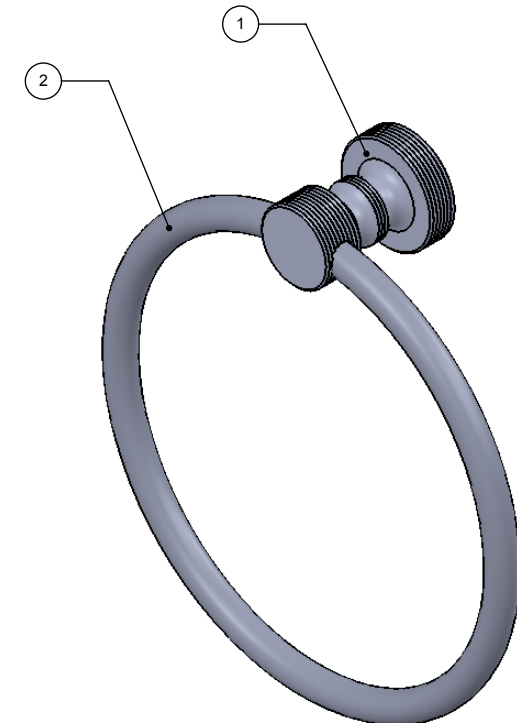
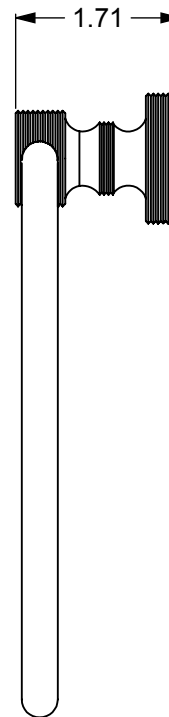
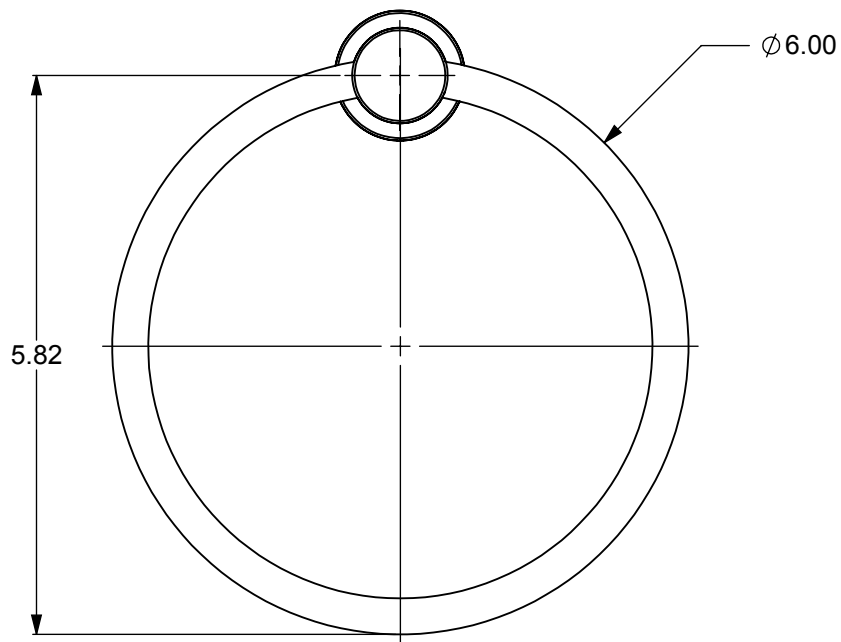


ITEM NO.	P/N	DESCRIPTION	QTY.
1	PSFTR	BASE	1
2	TRMT-6	RING	1

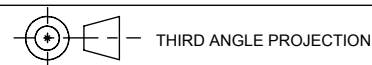


NOTES:  
1. UNIT IS IN INCHES

UNLESS OTHERWISE STATED

.X	$\pm .3\text{mm}$
.XX	$\pm .15\text{mm}$
.XXX	$\pm .008\text{mm}$

COPYRIGHT © Allied Brass 2016



DRAWN	2-1-2016	I.M
CHECKED	2-1-2016	P.D
APPROVED	2-1-2016	R.A

MATERIAL:	BRASS
DESCRIPTION:	TOWEL RING

FINISH	TBD
QUANTITY	TBD
DRAWING No.	REV
FT-16	0
SCALE	1:2
SHEET: 01	A4