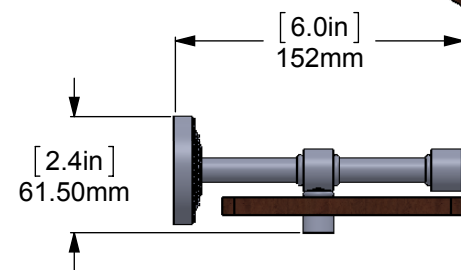
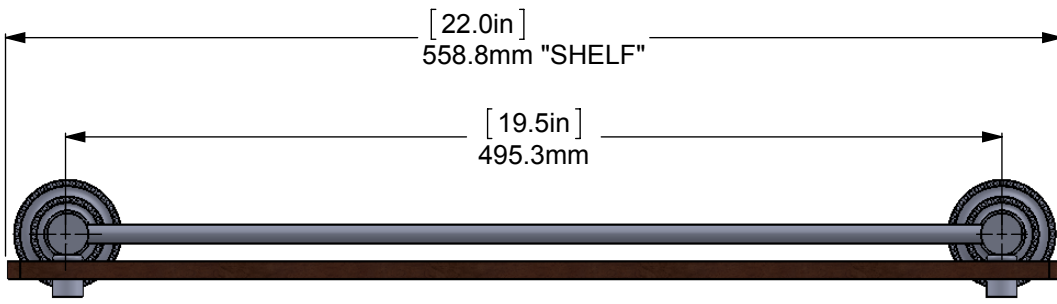
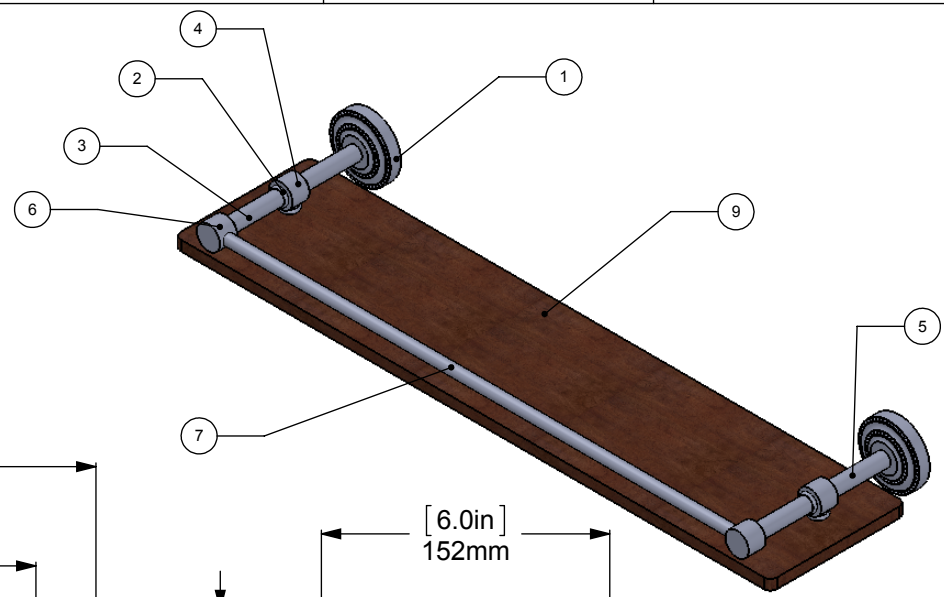


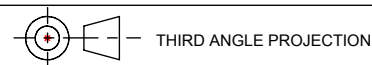
ITEM NO.	PART NUMBER	DESCRIPTION	QTY.
1	BPDT	Back Plate	2
2	CRRD-12	Connector	8
3	TU12-1.8	Tube-12, L=1.8	2
4	MR-TILT-FITT	HUB-CON	2
5	TU12-2	Tube-12, L=2	2
6	HBTTT-78	Hub	2
7	TU38-19.5	TUBE -38,L=19.5	2
8	CARD-58	LOCK	2
9	IRWRT-22	IPE SHELF	1



UNLESS OTHERWISE STATED

.X	±.3mm
.XX	±.15mm
.XXX	±.008mm

COPYRIGHT © Allied Brass 2016



DRAWN	3/26/2017	I.M
CHECKED	3/26/2017	P.D
APPROVED	3/26/2017	R.A

MATERIAL: BRASS
 DESCRIPTION: Dottingham Collection Solid IPE Ironwood Shelf with Gallery Rail



FINISH	TBD
QUANTITY	TBD
DRAWING No.	REV
DT122GALIRW	0
SCALE	1:4 SHEET: 01 A4