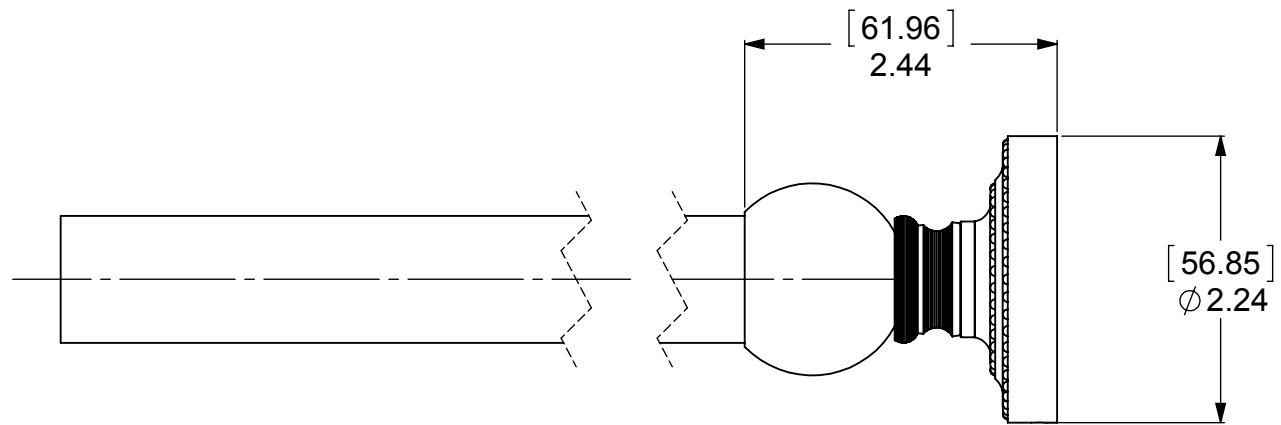
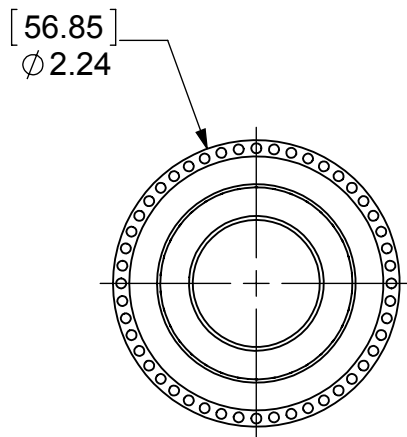
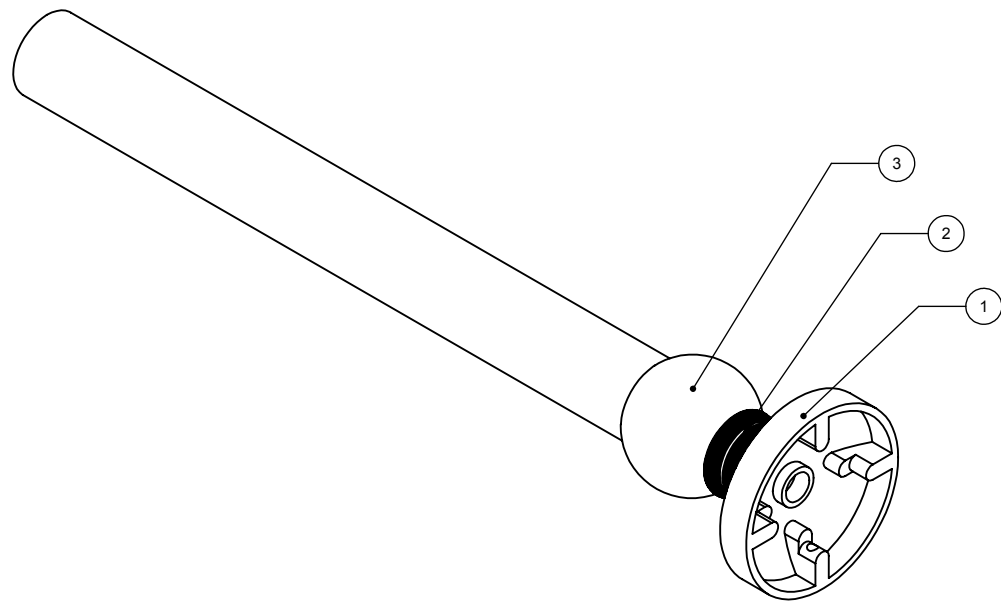


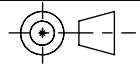
ITEM NO.	P/N	DESCRIPTION	QTY.
1	BPDT	Base	1
2	NKSL-58	Support	1
3	BL99-SR	CONNECTOR	1
4	-	TUBE	1



UNLESS OTHERWISE STATED


.X	±.3mm
.XX	±.15mm
.XXX	±.008mm

COPYRIGHT © Allied Brass 2016



THIRD ANGLE PROJECTION

DRAWN	2-17-16	I.M
CHECKED	2-17-16	P.D
APPROVED	2-17-16	R.A

MATERIAL:	BRASS
DESCRIPTION:	
SHOWER CURTAIN ESCUTCHEON	

NOTE:  
1. UNIT IS IN MM.

FINISH	TBD
QUANTITY	TBD
DRAWING No.	REV
DT-99	0
SCALE	1:2.5
SHEET: 01	A4