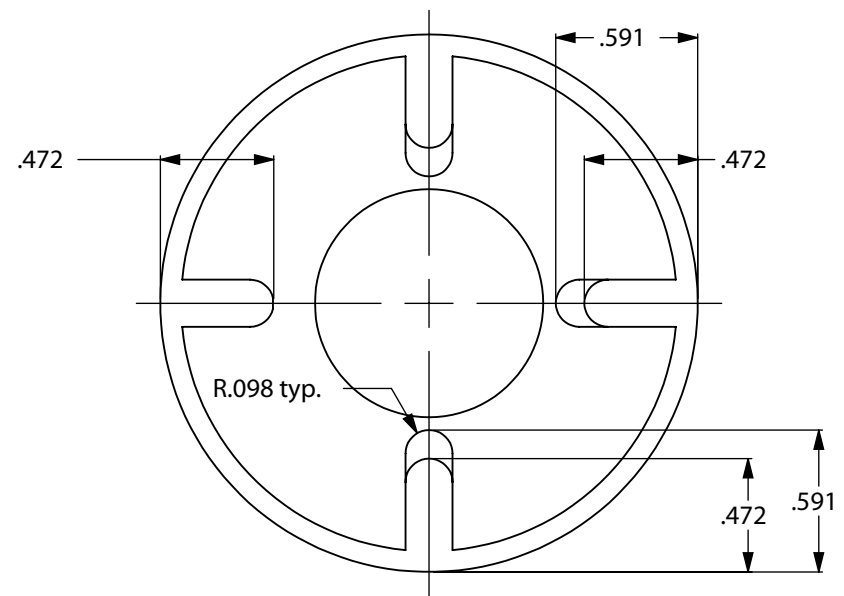
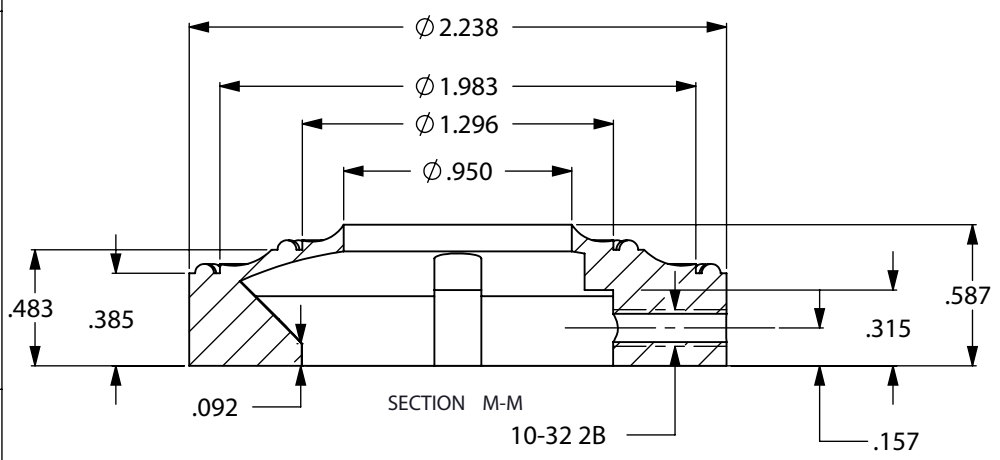
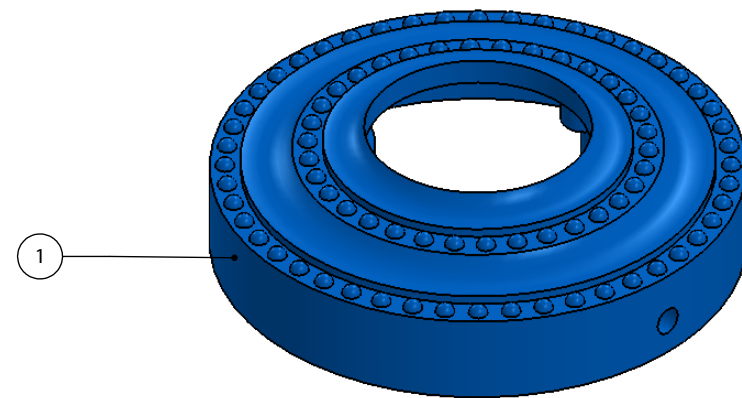
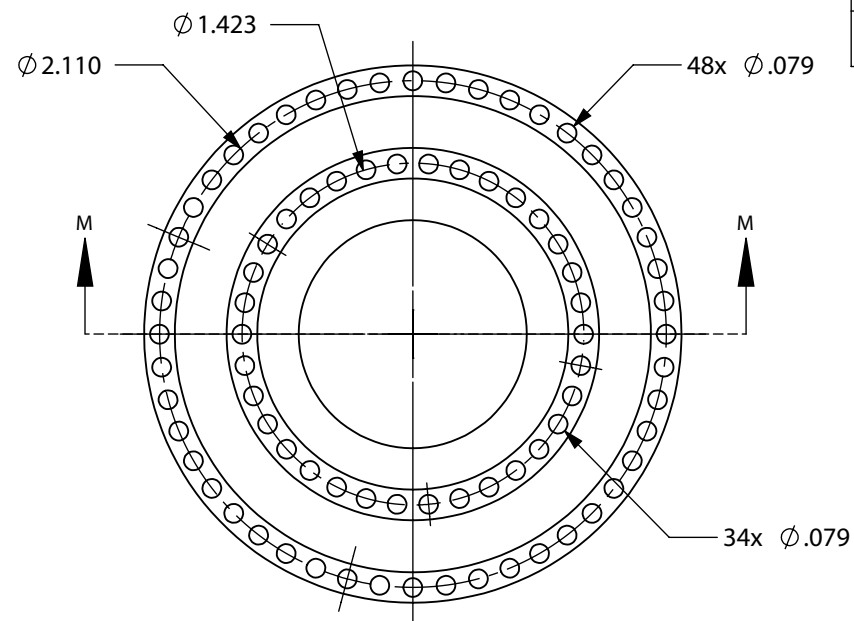


ITEM NO.	PART NUMBER	DESCRIPTION	QTY.
1	BPDTSR	Base	1



CONFIDENTIALITY/LIMITED LIABILITY STATEMENT
 This document (and any files attached to it) is confidential and intended only for the person or entity to which it is delivered. If you are not the intended recipient, then you have received this document by mistake and any use, dissemination, forwarding, printing or copying of this document and its file attachments is prohibited. Please notify ALLIED BRASS INC. immediately either by telephone or by email, delete the misdirected document from your system and destroy any copies you have made of it. We do not accept any liability for any loss or damage which may arise from your receipt of this document.

UNLESS OTHERWISE STATED			INITIALS	DATE	ITEM	QTY	DRG/PART NO	CLIENT:				
DO NOT SCALE	X.XXX	+/-0.025	DESIGNED	IJM	IJM	MATERIAL	BRASS		WEIGHT	FINISH	TBD	
DRAWING	X.XX	+/-0.1	DRAWN	IJM	IJM	HEAT TREAT	NA		QUANTITY	1		
CHAMFER ALL	X	+/-0.75	CHECKED	R.ANDRIS	R.ANDRIS	CUSTOMER			CUSTOMER No	---		
EDGES 0.5X4*	ANGLES		PROJ.ENG			DESCRIPTION:			DRAWING No.		REV	
DRAWING ISO	X.XX	+/-0.05*	SAFETY									
	X.X	+/-0.1*	APPROVED	R.ANDRIS	R.ANDRIS	DT-98			DT-98		0	
	X	+/-0.5*	FILENAME	DT-98								
FIRST ANGLE PROJECTION	MACHINED FINISH								SCALE	1.25:1	SHEET: 01	A4

