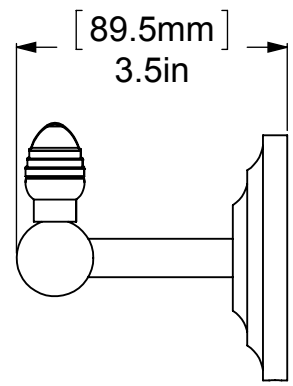
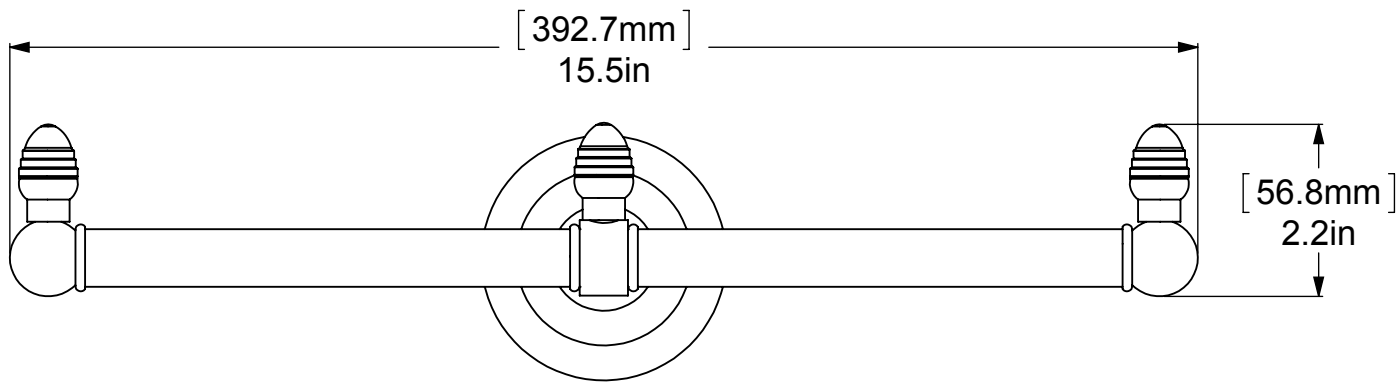
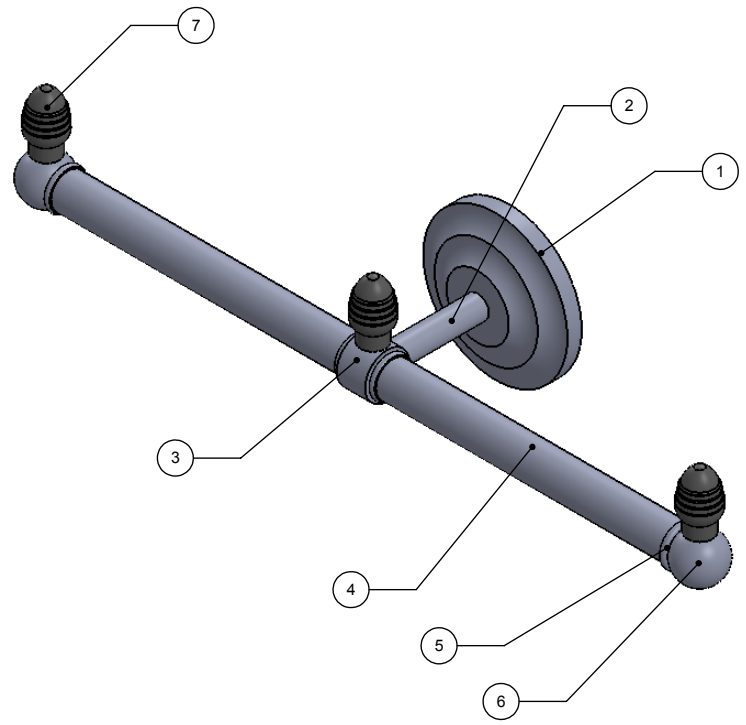


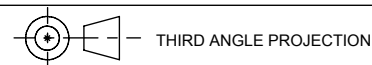
| ITEM NO. | P/N | Description | QTY. |
|----------|----------|-------------|------|
| 1 | BPQN | BACKPLATE | 1 |
| 2 | TU12-2 | Neck | 1 |
| 3 | HB2T-1 | HUB | 1 |
| 4 | TU34-6.5 | TUBE | 2 |
| 5 | CRRD-34 | RING | 4 |
| 6 | BL2T-1 | END BALL | 2 |
| 7 | KBGT-1 | TOP | 3 |



UNLESS OTHERWISE STATED

| | |
|------|---------|
| .X | ±.3mm |
| .XX | ±.15mm |
| .XXX | ±.008mm |

COPYRIGHT © Allied Brass 2016



| | | |
|----------|----------|-----|
| DRAWN | 5/3/2016 | I.M |
| CHECKED | 5/3/2016 | P.D |
| APPROVED | 5/3/2016 | R.A |

| | |
|--------------|--------------|
| MATERIAL: | BRASS |
| DESCRIPTION: | TOWEL HOLDER |
| | |

| | |
|-------------|-------|
| FINISH | TBD |
| QUANTITY | TBD |
| DRAWING No. | REV |
| BPQN-HTB -2 | 0 |
| SCALE | 1:2.5 |
| SHEET: 01 | A4 |