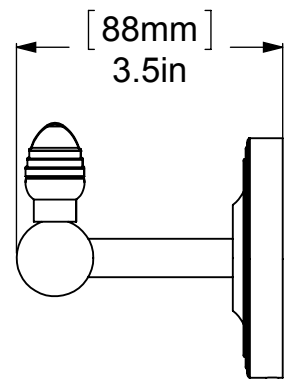
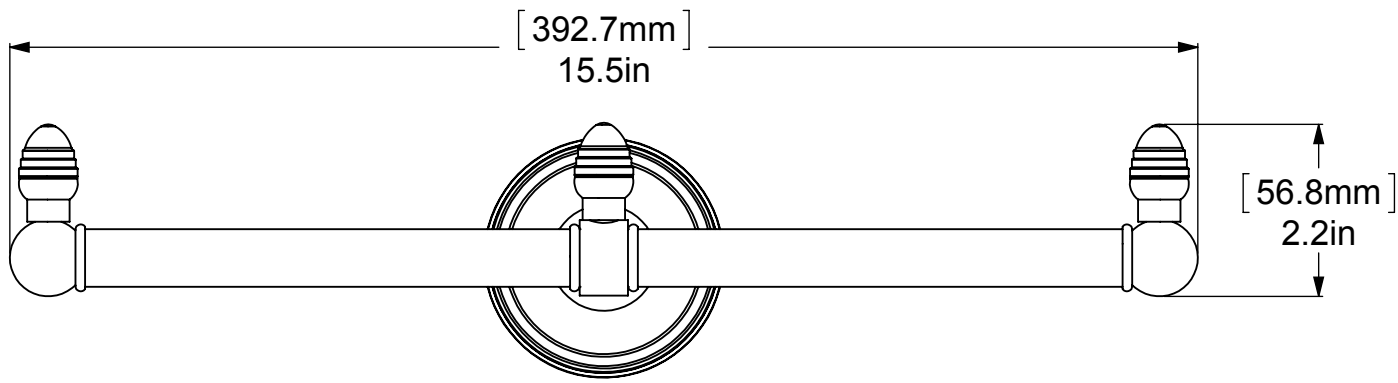
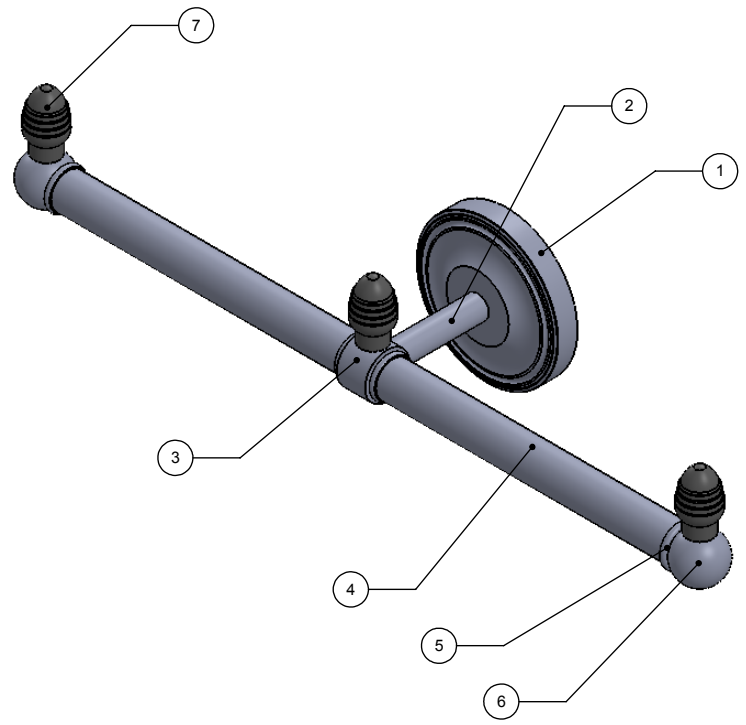


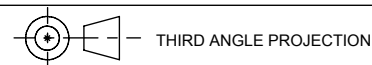
ITEM NO.	P/N	Description	QTY.
1	BPPR	BACKPLATE	1
2	TU12-2	Neck	1
3	HB2T-1	HUB	1
4	TU34-6.5	TUBE	2
5	CRRD-34	RING	4
6	BL2T-1	END BALL	2
7	KBGT-1	TOP	3



UNLESS OTHERWISE STATED

.X	±.3mm
.XX	±.15mm
.XXX	±.008mm

COPYRIGHT © Allied Brass 2016



DRAWN	5/3/2016	I.M
CHECKED	5/3/2016	P.D
APPROVED	5/3/2016	R.A

MATERIAL:	BRASS
DESCRIPTION:	TOWEL HOLDER

FINISH	TBD
QUANTITY	TBD
DRAWING No.	BPPR-HTB -2
REV	0
SCALE	1:2.5
SHEET: 01	A4