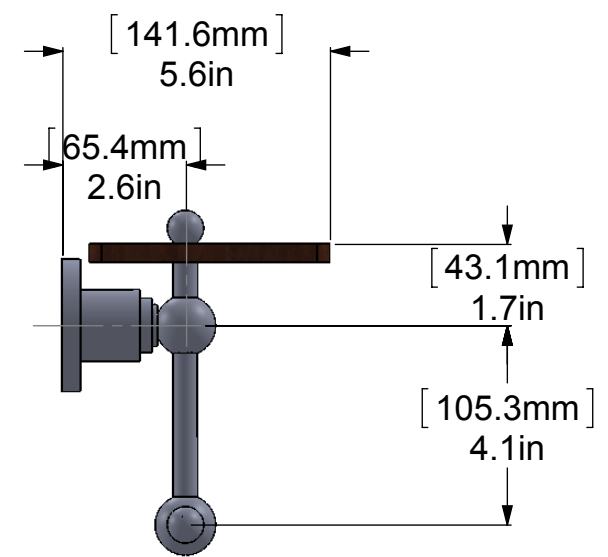
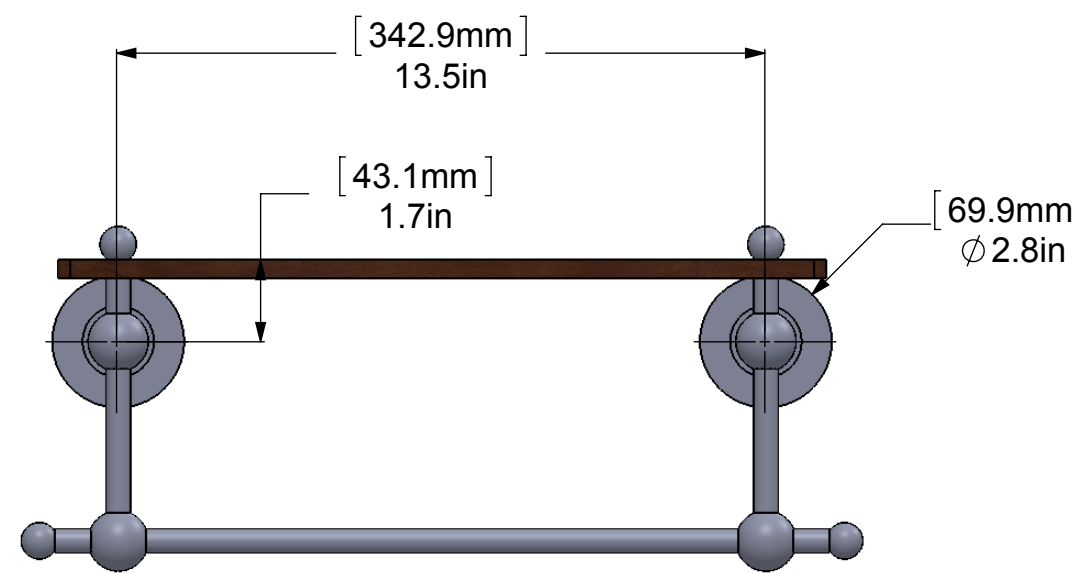
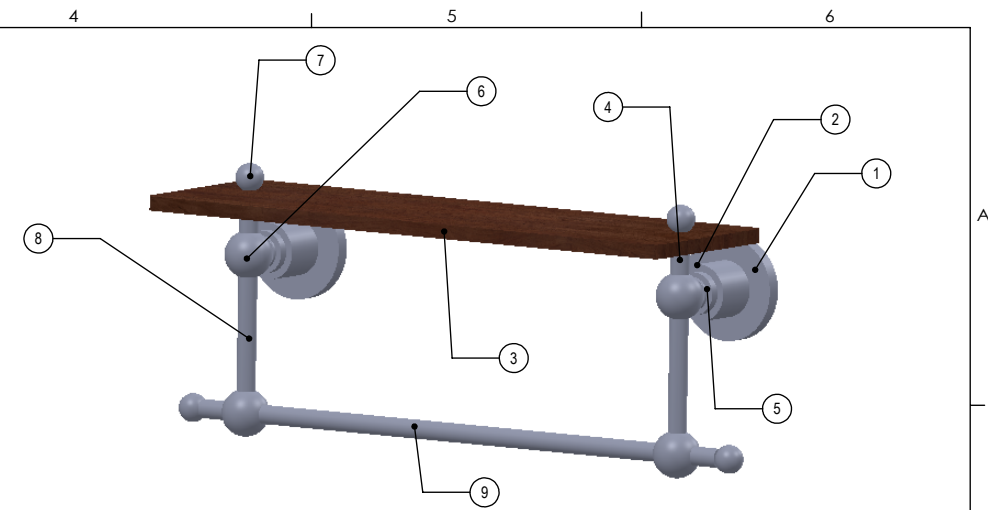


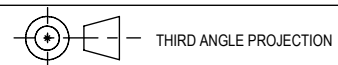
ITEM NO.	PART NUMBER	DESCRIPTION	QTY.
1	BPRD	Base	2
2	WASP	NECK	2
3	IRWRT-16	WOOD SHELF	1
4	TU12-.75"	SUPPORT TUBE	4
5	CRRD-34	RING	2
6	BL3T-1	LOWER BALL	4
7	BL1T-34	End Ball	4
8	TU12-3"	LONG TUBE	2
9	TU12-12.4"	END TUBE	1



UNLESS OTHERWISE STATED

.X	±.3mm
.XX	±.15mm
.XXX	±.008mm

COPYRIGHT © Allied Brass 2016



DRAWN	10/6/2016	I.M
CHECKED	10/6/2016	P.D
APPROVED	10/6/2016	R.A

MATERIAL:	BRASS
DESCRIPTION:	WOOD SHELF W/ TOWEL BAR



FINISH	TBD
QUANTITY	TBD
DRAWING No.	AP-1-16TB-IRW
REV	0
SCALE	1:4
SHEET: 01	A4