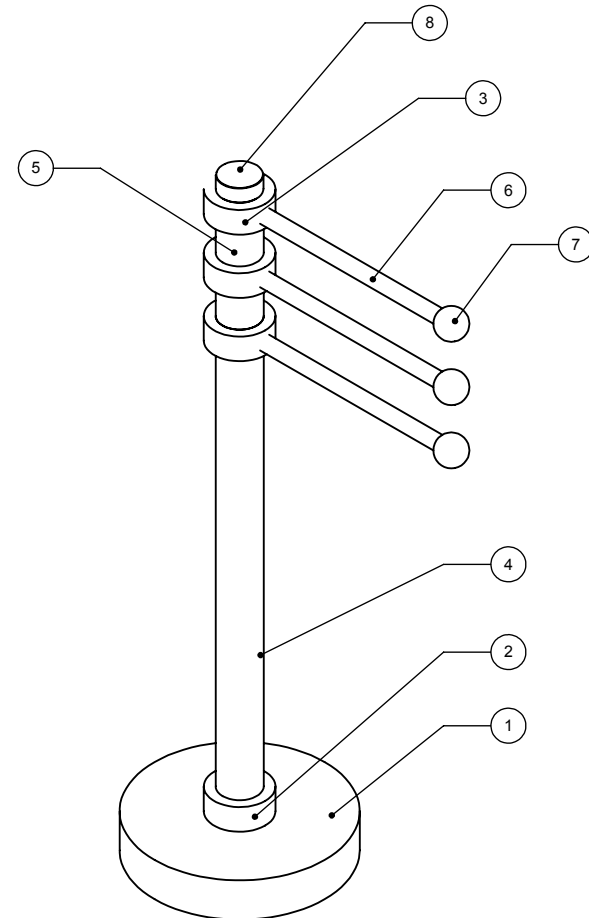
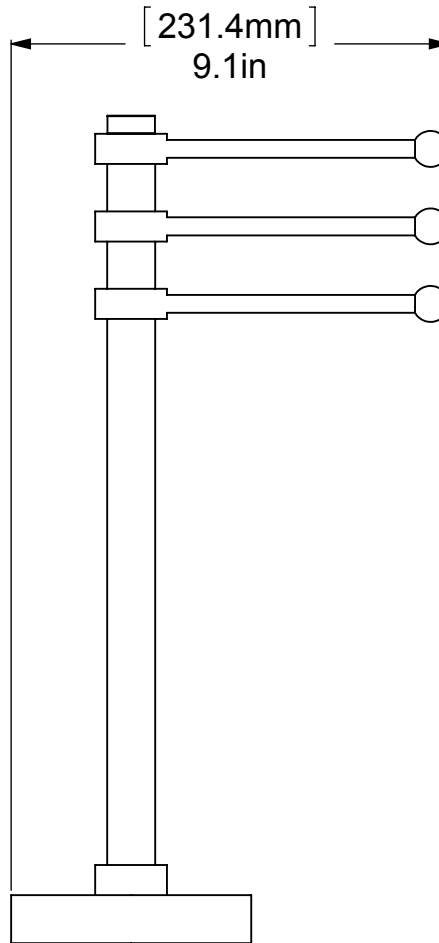
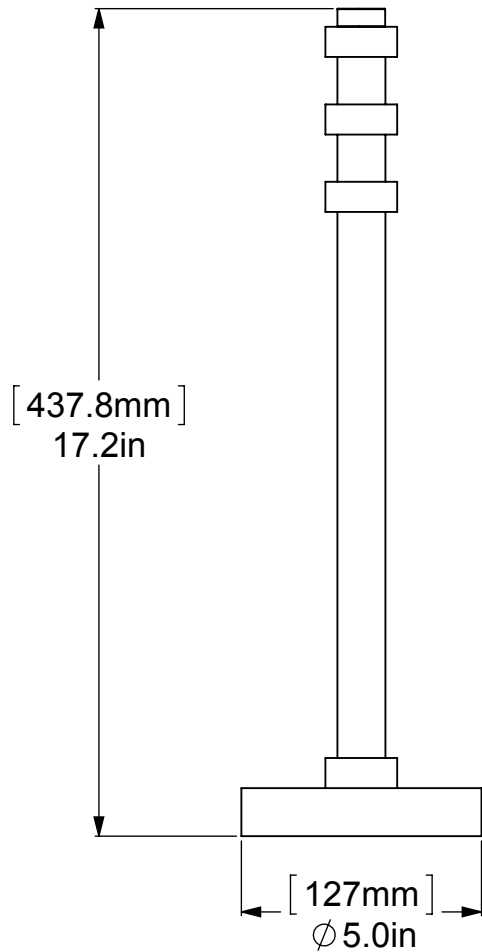


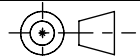
ITEM NO.	P/N	Description	QTY.
1	BSRD-5	BASE	1
2	RGSM	HUB-BASE	1
3	RGSMT	HUB-SUPPORT	3
4	TU1-12	TUBE BASE	1
5	TU1-1	TUBE-DIV	2
6	TU38-6	ARM TUBE	3
7	BL1T-34	ARMBALL	3
8	CARD-1	TOP CAP	1



UNLESS OTHERWISE STATED

.X	±.3mm
.XX	±.15mm
.XXX	±.008mm

COPYRIGHT © Allied Brass 2017



THIRD ANGLE PROJECTION

DRAWN	7/8/2017	I.M
CHECKED	7/8/2017	P.D
APPROVED	7/8/2017	R.A

MATERIAL:	BRASS	
DESCRIPTION:	Vanity Top 3 Swing Arm Guest Towel Holder	
FINISH	TBD	
QUANTITY	TBD	
DRAWING No.	973	
SCALE	1:4	SHEET: 01



REV	0
SHEET: 01	A4