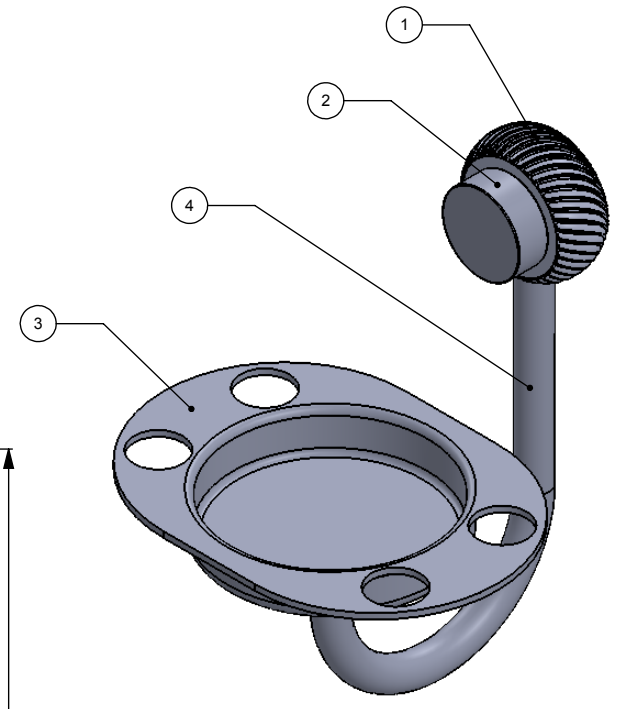
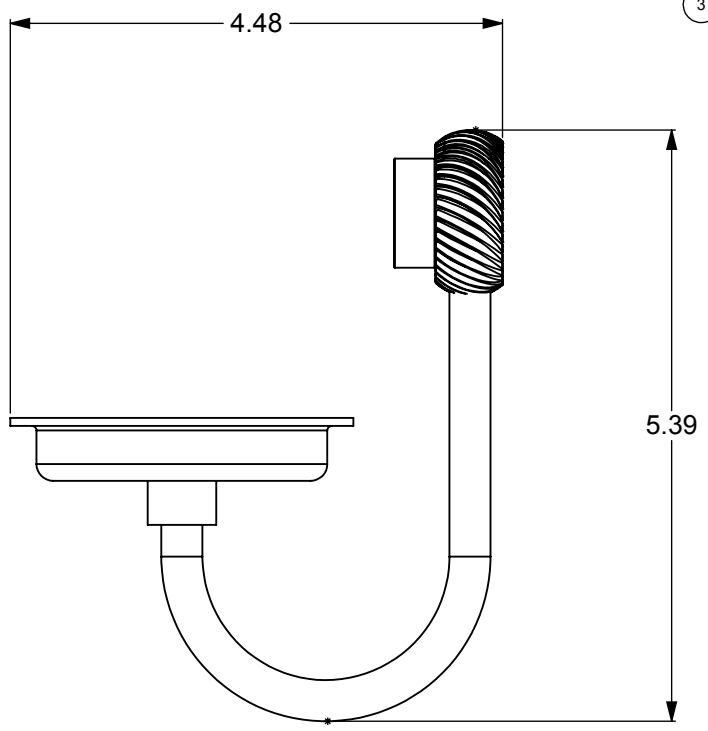
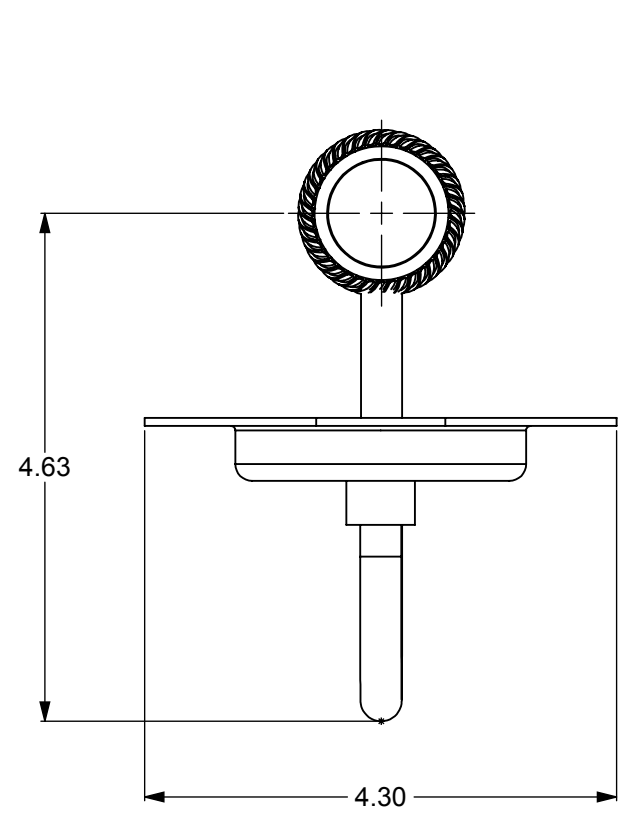


ITEM NO.	P/N	DESCRIPTION	QTY.
1	RGTW	CONNECTOR	1
2	CARD-1	END LOCK	1
3	HKHK	PIPE	1
4	BL1T-12	BALL	1

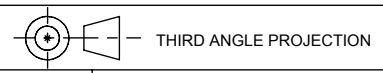


NOTES:
1. UNIT IS IN INCHES

UNLESS OTHERWISE STATED

.X	$\pm .3\text{mm}$
.XX	$\pm .15\text{mm}$
.XXX	$\pm .008\text{mm}$

COPYRIGHT © Allied Brass 2016



DRAWN	1-27-2016	I.M
CHECKED	1-27-2016	P.D
APPROVED	1-27-2016	R.A

MATERIAL:	BRASS
DESCRIPTION:	TUMBLER/ TOOTHBRUSH HOLDER

FINISH	TBD
QUANTITY	TBD
DRAWING No.	REV
426T	0
SCALE	1:1.75
SHEET: 01	A4