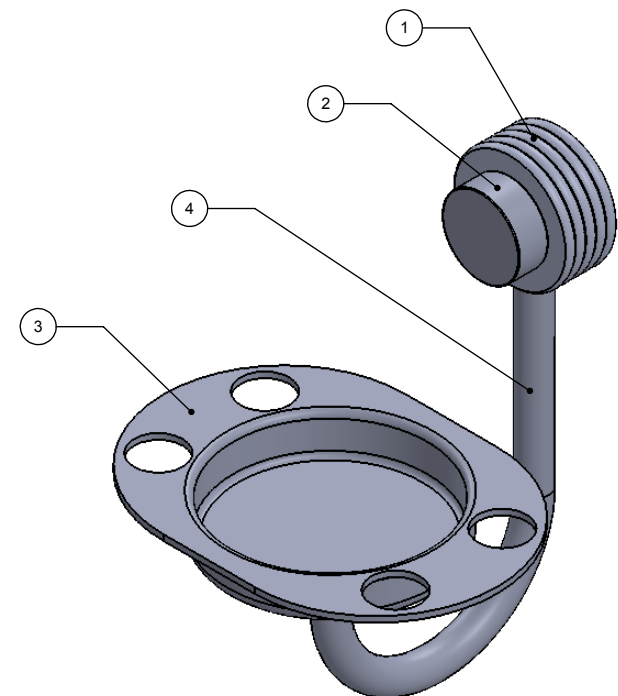
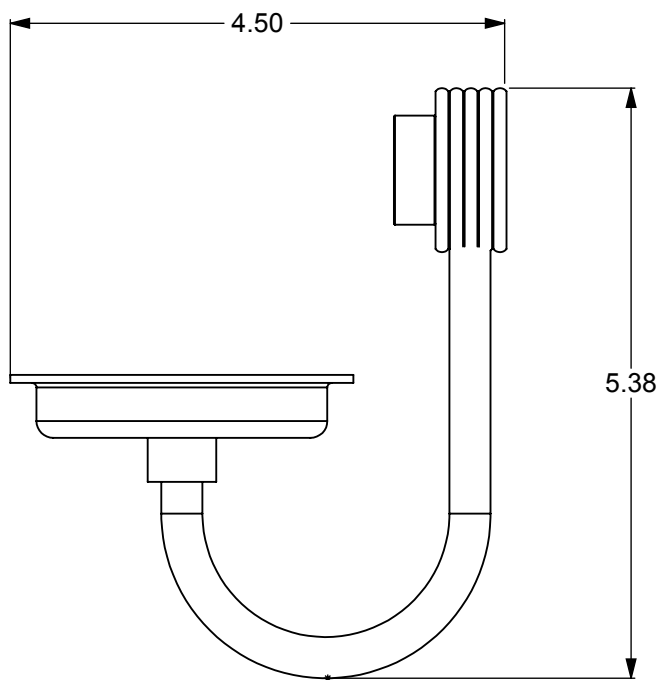
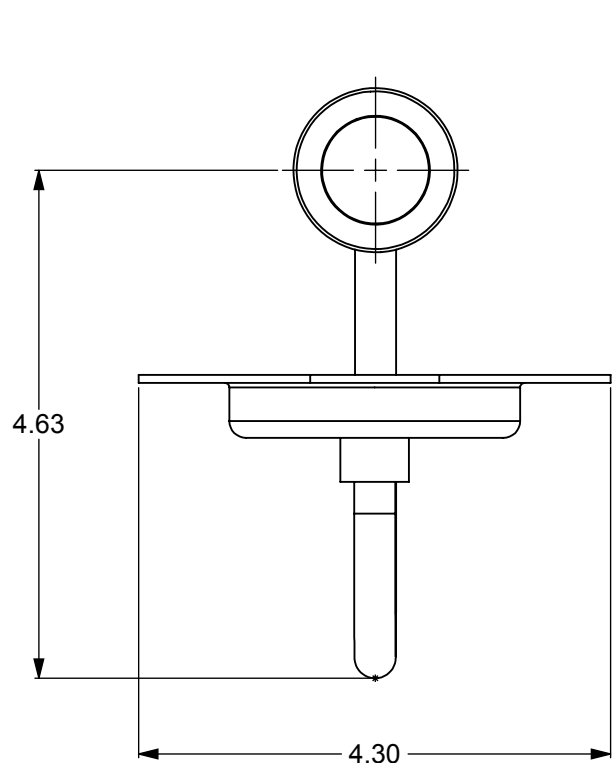


ITEM NO.	P/N	DESCRIPTION	QTY.
1	RGGV	CONNECTOR	1
2	CARD-1	END LOCK	1
3	HROVT	TUB	1
4	HKVT	PIPE TUBE	1

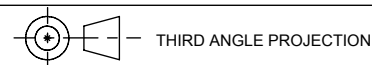


NOTES:
1. UNIT IS IN INCHES

UNLESS OTHERWISE STATED

.X	±.3mm
.XX	±.15mm
.XXX	±.008mm

COPYRIGHT © Allied Brass 2016



DRAWN	1-27-2016	I.M
CHECKED	1-27-2016	P.D
APPROVED	1-27-2016	R.A

MATERIAL:	BRASS
DESCRIPTION:	TUMBLER/ TOOTHBRUSH HOLDER



FINISH	TBD
QUANTITY	TBD
DRAWING No.	REV
426G	0
SCALE	1:1.75
SHEET: 01	A4