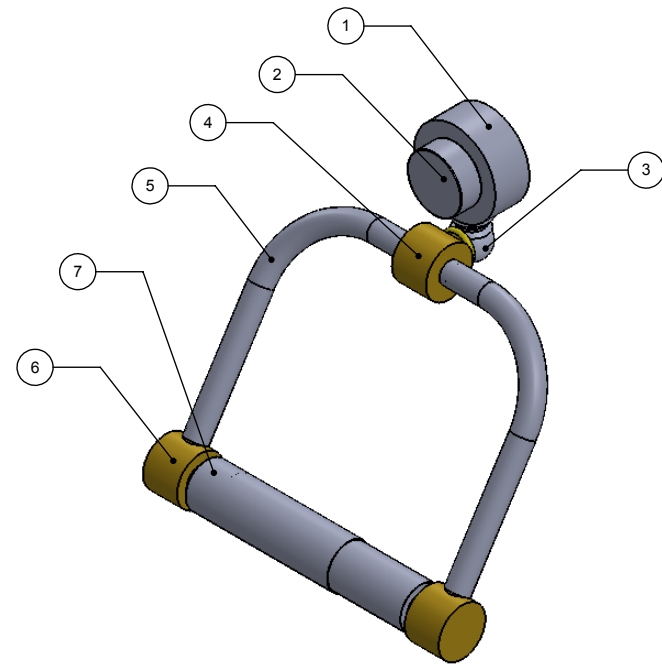
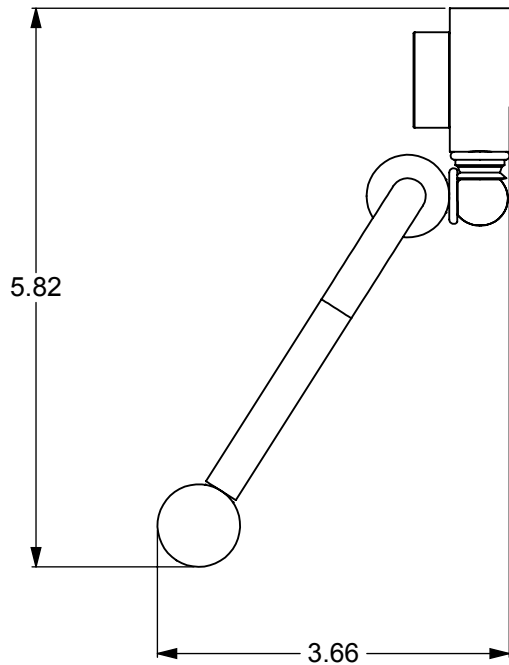
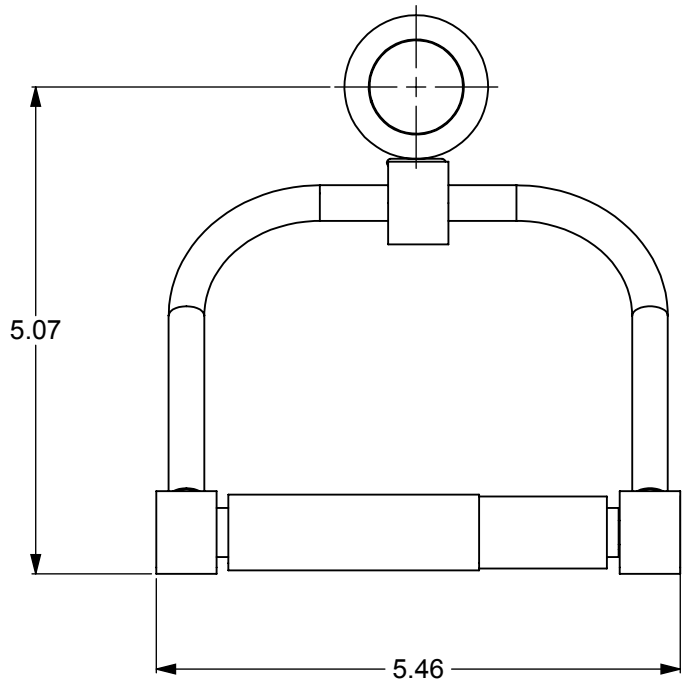


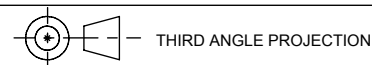
ITEM NO.	P/N	DESCRIPTION	QTY.
1	RGSMT	CONNECTOR	1
2	CARD-1	END LOCK	1
3	#2 armback	SUPPORT	1
4	HBTTT-78	HUB	1
5	HKTT	PIPE	2
6	HBBTT-78	END HUB	2
7	RLB-SET	ROLL	1



NOTES:
1. UNIT IS IN INCHES

UNLESS OTHERWISE STATED	
.X	±.3mm
.XX	±.15mm
.XXX	±.008mm

COPYRIGHT © Allied Brass 2016



DRAWN	1-28-2016	I.M
CHECKED	1-28-2016	P.D
APPROVED	1-28-2016	R.A

MATERIAL:	BRASS		FINISH	TBD
DESCRIPTION:	DOUBLE POST TISSUE HOLDER 		QUANTITY	TBD
			DRAWING No.	REV
			424	0
SCALE	1:2	SHEET: 01	A4	