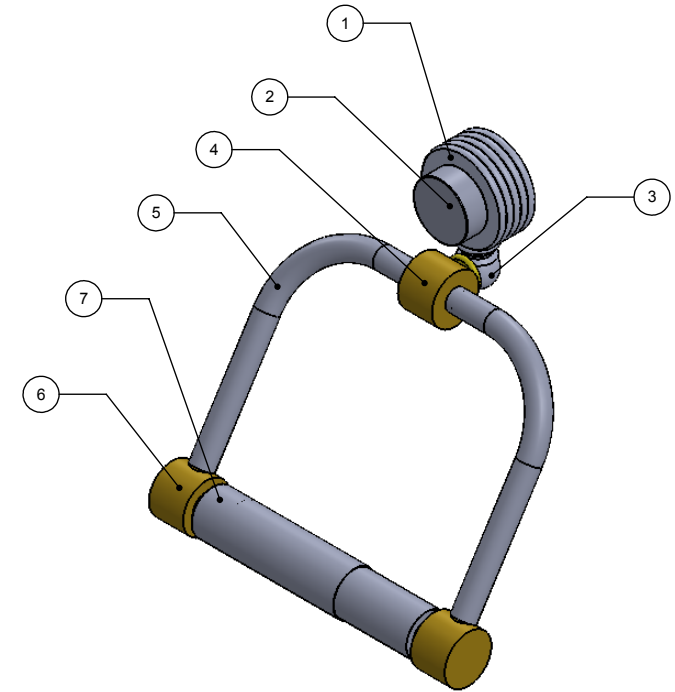
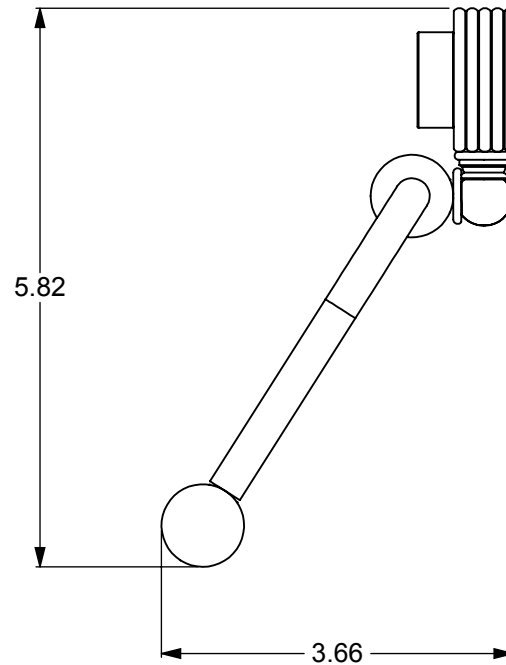
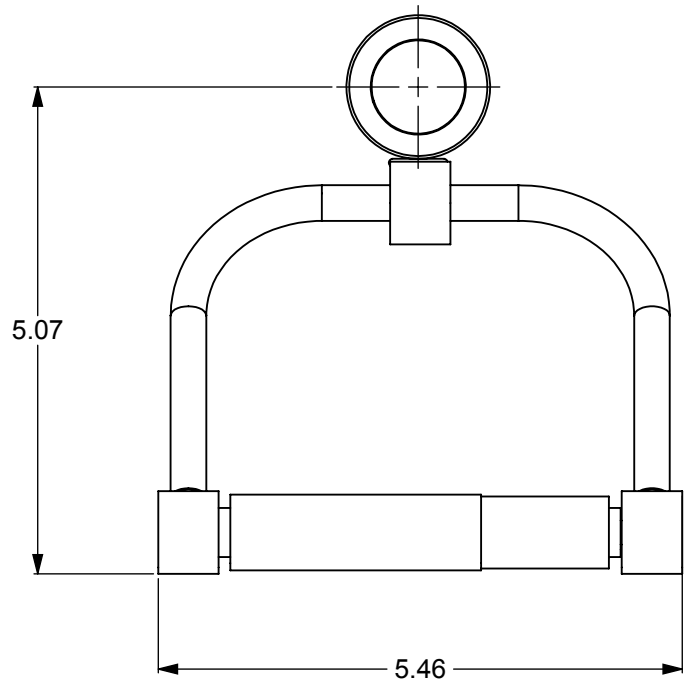


ITEM NO.	P/N	DESCRIPTION	QTY.
1	RGGV	CONNECTOR	1
2	CARD-1	END LOCK	1
3	#2 armback	SUPPORT	1
4	HBTTT-78	HUB	1
5	HKTT	PIPE	2
6	HBBTT-78	END HUB	2
7	RLB-SET	ROLL	1



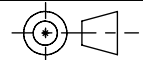
NOTES:

1. UNIT IS IN INCHES


UNLESS OTHERWISE STATED

.X	$\pm .3\text{mm}$
.XX	$\pm .15\text{mm}$
.XXX	$\pm .008\text{mm}$

COPYRIGHT © Allied Brass 2016



THIRD ANGLE PROJECTION

DRAWN	1-28-2016	I.M	MATERIAL:	BRASS	FINISH	TBD
CHECKED	1-28-2016	P.D	DESCRIPTION:	DOUBLE POST TISSUE HOLDER 	QUANTITY	TBD
APPROVED	1-28-2016	R.A			DRAWING No.	REV
					424G	0
				SCALE	1:2	SHEET: 01 A4