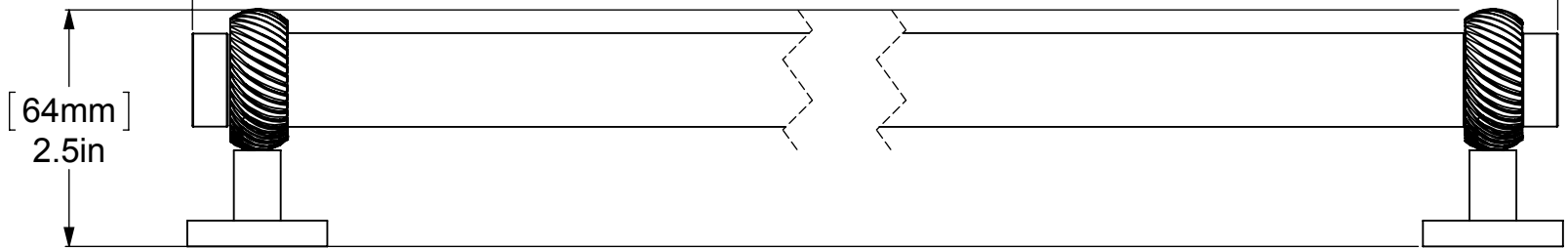
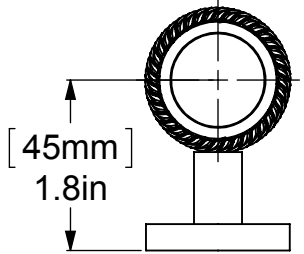
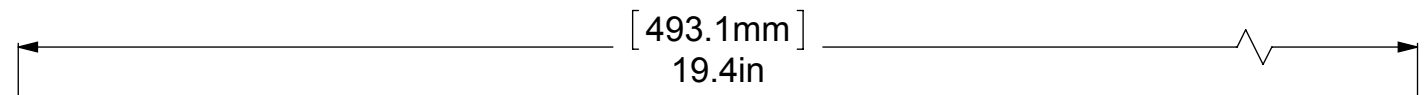
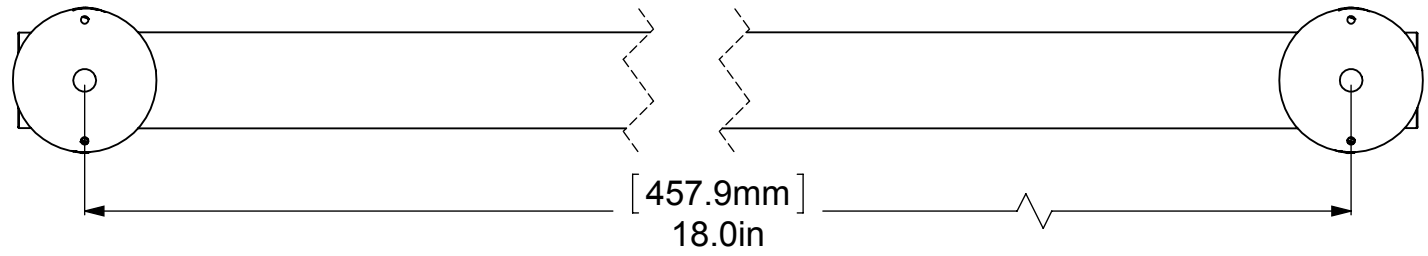
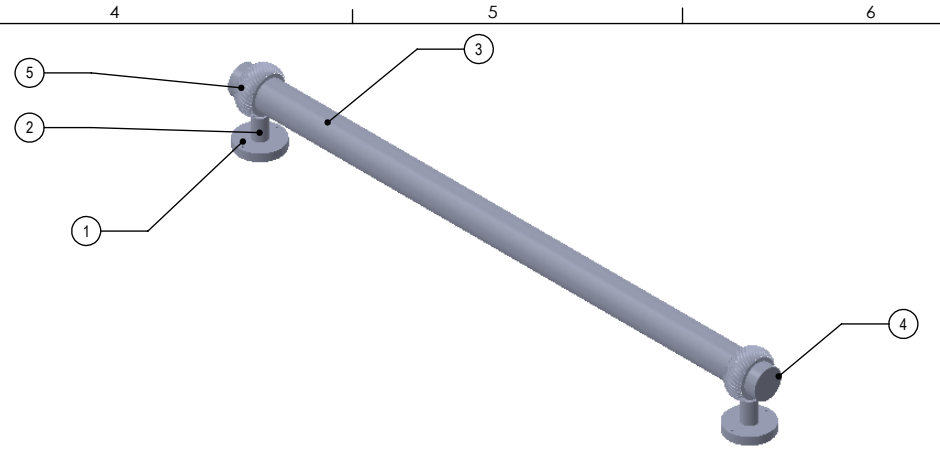


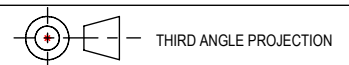
ITEM NO.	PART NUMBER	DESCRIPTION	QTY.
1	LP Casting	BASE	2
2	TU12-0.75	NECK	2
3	TU1-17.4	TUBE	1
4	Card-1	END LOCK	2
5	RGTWT	CONNECTOR	2



UNLESS OTHERWISE STATED

.X	±.3mm
.XX	±.15mm
.XXX	±.008mm

COPYRIGHT © Allied Brass 2017



DRAWN	5/14/2017	I.M
CHECKED	5/14/2017	P.D
APPROVED	5/14/2017	R.A

MATERIAL:	BRASS
DESCRIPTION:	18 Inch Refrigerator Pull



FINISH	TBD
QUANTITY	TBD
DRAWING No.	REV
402T-RP	0
SCALE	1:2
SHEET: 01	A4