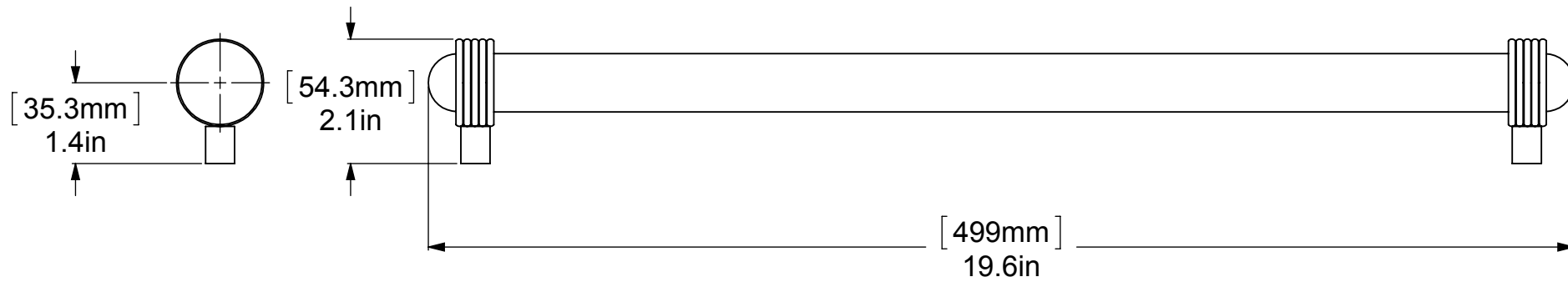
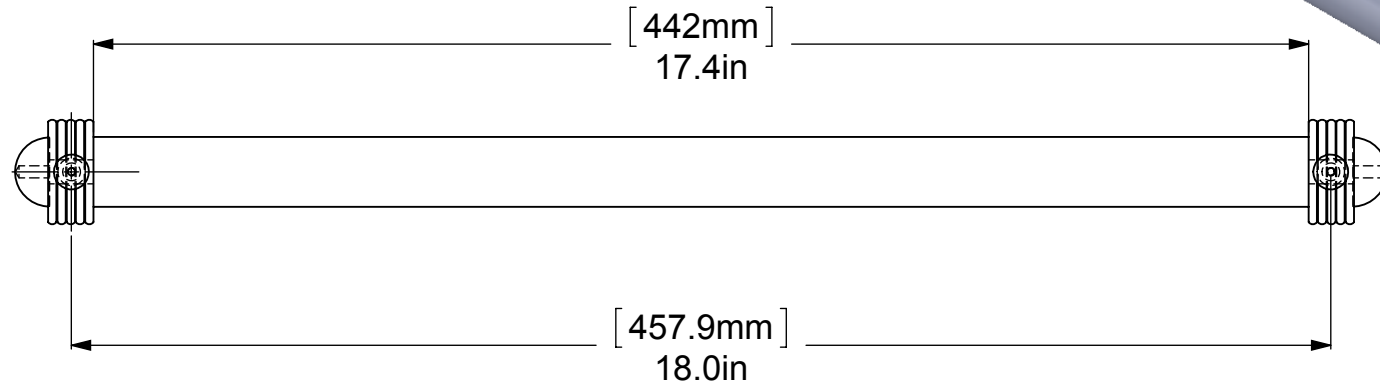
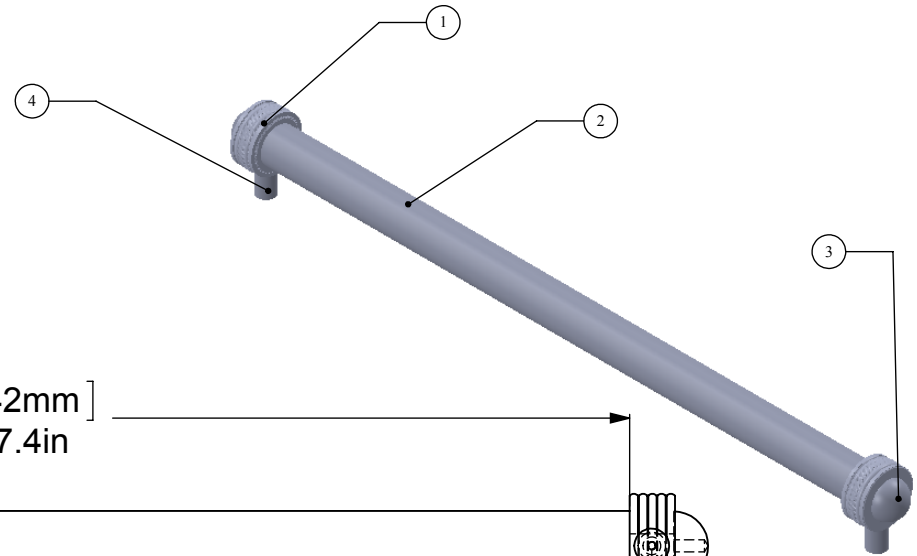


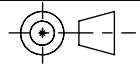
ITEM NO.	PART NUMBER	DESCRIPTION	QTY.
1	RGGVT	CONNECTOR	2
2	TU1-17.4	TUBE	1
3	CAHR-1	CAP	2
4	PSRD8-12	END TUBE	2



UNLESS OTHERWISE STATED

.X	±.3mm
.XX	±.15mm
.XXX	±.008mm

COPYRIGHT © Allied Brass 2017



THIRD ANGLE PROJECTION

DRAWN	5/14/2017	I.M
CHECKED	5/14/2017	P.D
APPROVED	5/14/2017	R.A

MATERIAL:	BRASS	
DESCRIPTION:	18 Inch Refrigerator Pull	

FINISH	TBD		
QUANTITY	TBD		
DRAWING No.		REV	
402AG-RP		0	
SCALE	1:2.75	SHEET: 01	A4