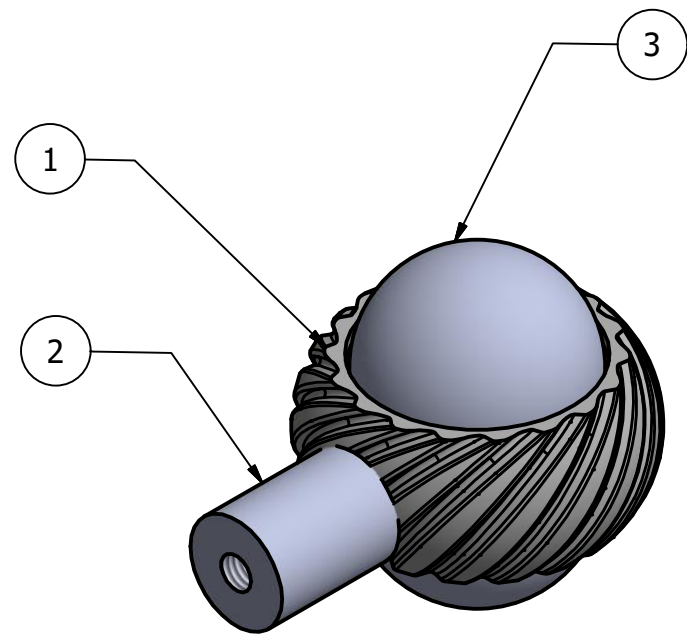
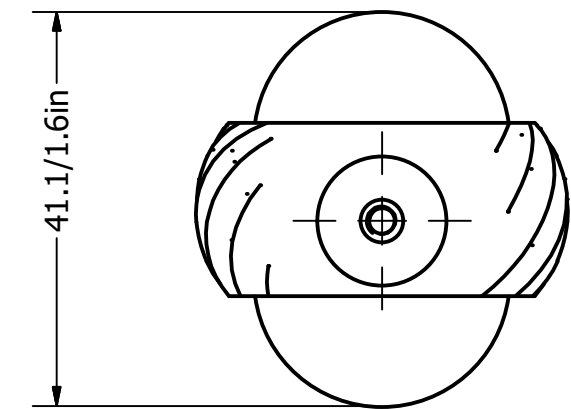
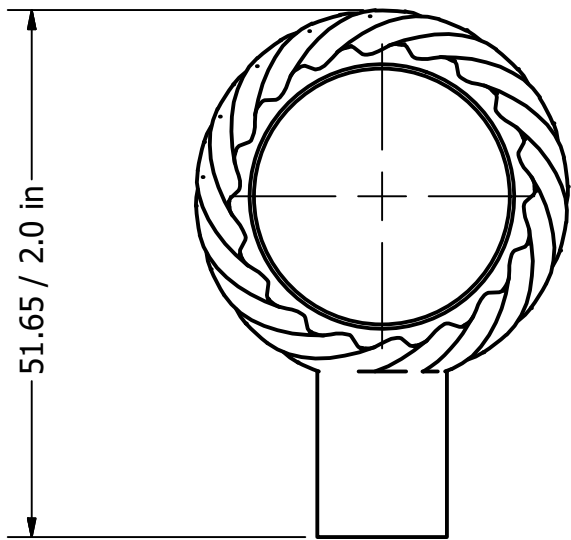


2

1

PARTS LIST			
ITEM	QTY	PART NUMBER	DESCRIPTION
1	1	RGTWT	HUB
2	2	PSRD8-12	BASE TUBE
3	2	CAHR-1	CAP

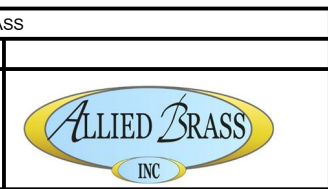


UNLESS OTHERWISE SPECIFIED	
.X	± .3mm
.XX	± .15mm
.XXX	± .008mm

COPYRIGHT @ALLIEDBRASS 2017	THIRD ANGLE PROJECTION
-----------------------------	------------------------

DRAWN	8-3-17	IM
CHECKED	8-3-17	P.D.
APPROVED	8-3-17	R.A.

MATERIAL:	BRASS
DESCRIPTION:	1-1/2 Inch Cabinet Knob



FINISH	TBD
QTY	TBD
DRAWING NO.	102AT
SCALE	1.5:1
SHEET:	1 OF 1
REV	0

2

1