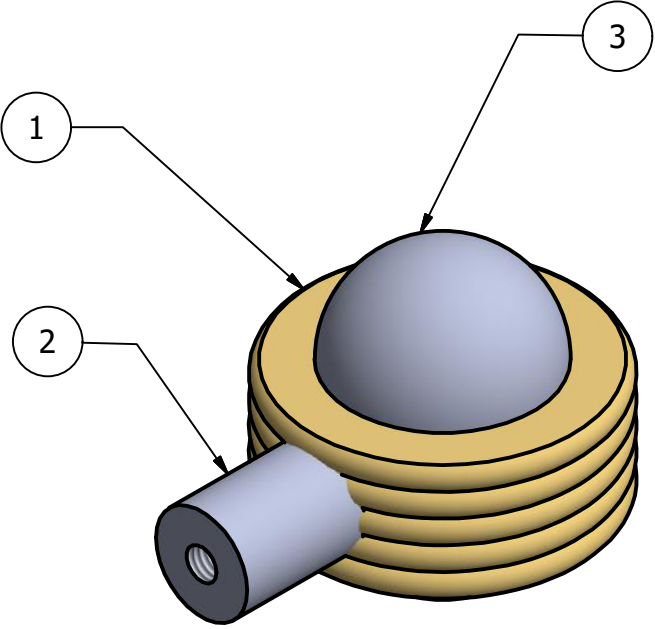
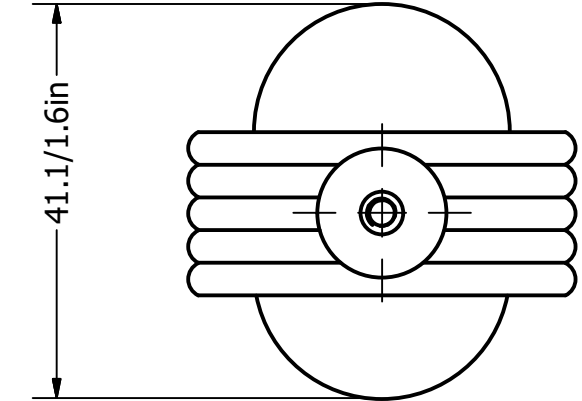
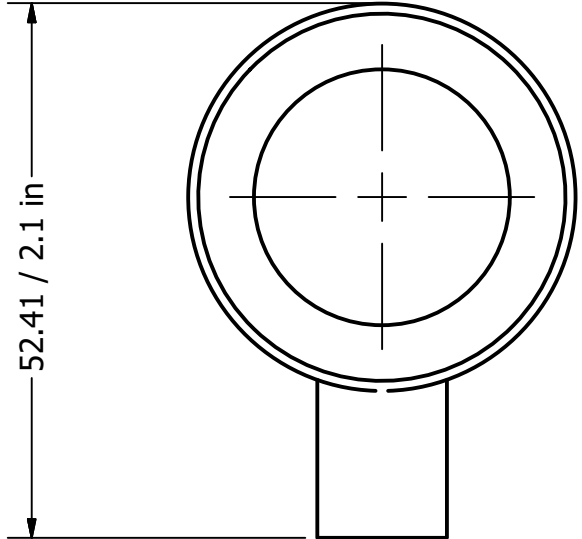


2

1

PARTS LIST			
ITEM	QTY	PART NUMBER	DESCRIPTION
1	1	RGGVT	HUB
2	2	PSRD8-12	BASE TUBE
3	2	CAHR-1	CAP



UNLESS OTHERWISE SPECIFIED	
.X	± .3mm
.XX	± .15mm
.XXX	± .008mm

COPYRIGHT @ALLIEDBRASS 2017	CHECKED	8-3-17	P.D.
	APPROVED	8-3-17	R.A.

DRAWN	8-3-17	IM
CHECKED	8-3-17	P.D.
APPROVED	8-3-17	R.A.

MATERIAL:	BRASS
DESCRIPTION:	1-1/2 Inch Cabinet Knob

FINISH	TBD
QTY	TBD
DRAWING NO. 102AG	
SCALE	1.5:1

REV	0
SHEET: 1 OF 1	

2

1