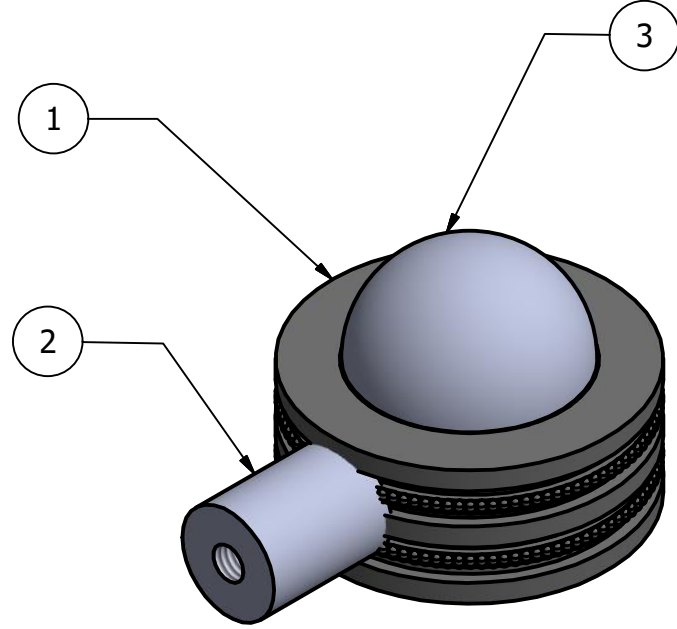
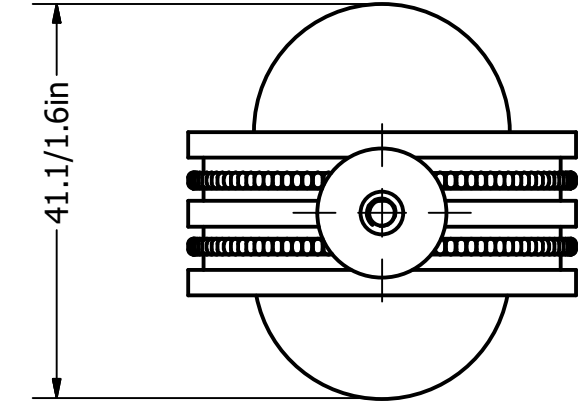
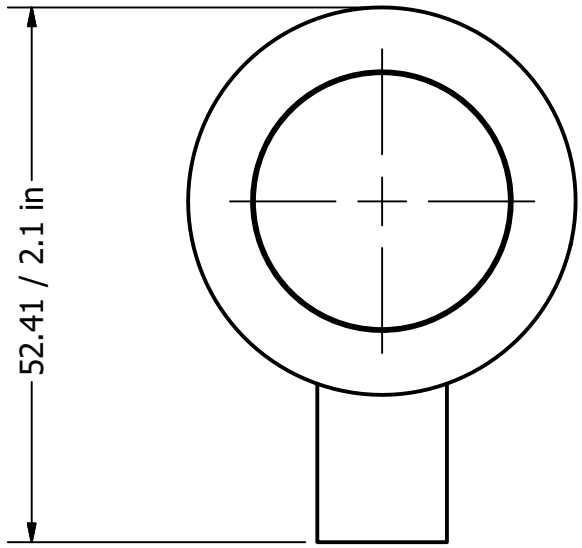


2

1

PARTS LIST			
ITEM	QTY	PART NUMBER	DESCRIPTION
1	1	RGDTT	HUB
2	2	PSRD8-12	BASE TUBE
3	2	CAHR-1	CAP



UNLESS OTHERWISE SPECIFIED

.X	± .3mm
.XX	± .15mm
.XXX	± .008mm

COPYRIGHT @ALLIEDBRASS 2017

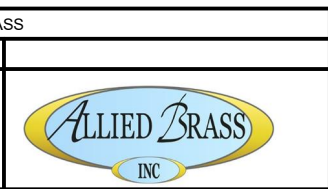
THIRD ANGLE PROJECTION

DRAWN	8-3-17	IM
CHECKED	8-3-17	P.D.
APPROVED	8-3-17	R.A.

MATERIAL: BRASS

DESCRIPTION:

1-1/2 Inch Cabinet Knob



FINISH	TBD
QTY	TBD
DRAWING NO.	REV
102AD	0
SCALE	SHEET: 1 OF 1
1.5:1	A4

2

1