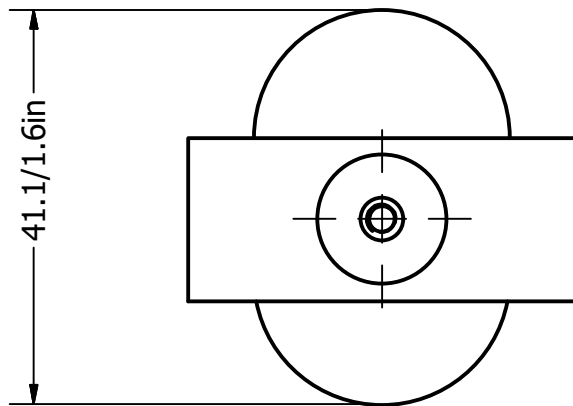
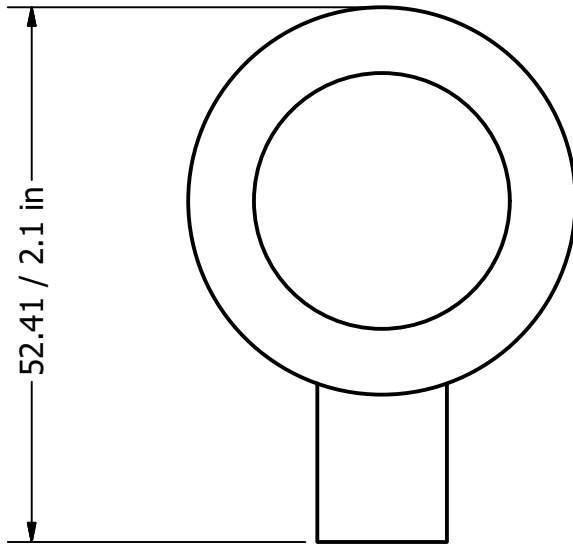
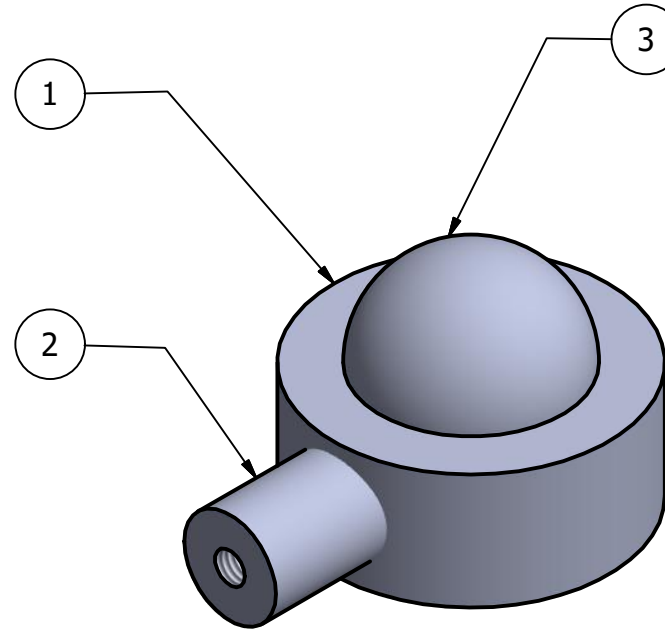


2

1




PARTS LIST			
ITEM	QTY	PART NUMBER	DESCRIPTION
1	1	RGSMT	HUB
2	2	PSRD8-12	BASE TUBE
3	2	CAHR-1	CAP



UNLESS OTHERWISE SPECIFIED	
.X	± .3mm
.XX	± .15mm
.XXX	± .008mm



THIRD ANGLE PROJECTION

DRAWN	8-3-17	IM	MATERIAL:	BRASS	FINISH	TBD
CHECKED	8-3-17	P.D.	DESCRIPTION:		QTY	TBD
APPROVED	8-3-17	R.A.	1-1/2 Inch Cabinet Knob		DRAWING NO.	
					102A	REV
					0	
				SCALE	1.5:1	SHEET: 1 OF 1

2

1