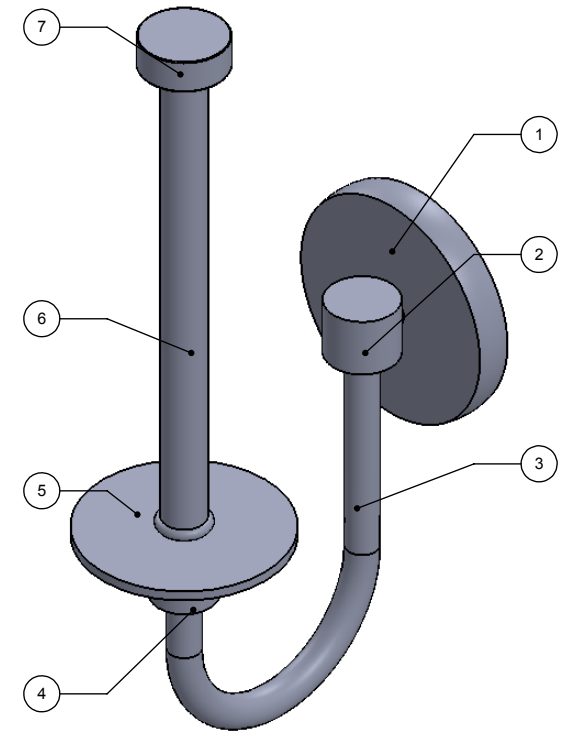


ITEM NO.	P/N	DESCRIPTION	QTY.
1	BPRD	Base	1
2	HBBTT-78	HUB	1
3	HKVT	PIPE	1
4	PSRD-58	HUB	1
5	DSFL-2.375	Plate	1
6	TU12-6	Tube Connector	1
7	CARD-1	END CAP	1



UNLESS OTHERWISE STATED

.X	±.3mm
.XX	±.15mm
.XXX	±.008mm

COPYRIGHT © Allied Brass 2016



THIRD ANGLE PROJECTION

DRAWN	7/5/2016	I.M
CHECKED	7/5/2016	P.D
APPROVED	7/5/2016	R.A

MATERIAL: BRASS

DESCRIPTION: TISSUE HOLDER



FINISH	TBD
QUANTITY	TBD
DRAWING No.	REV
1024U	0
SCALE	1:2 SHEET: 01 A4