

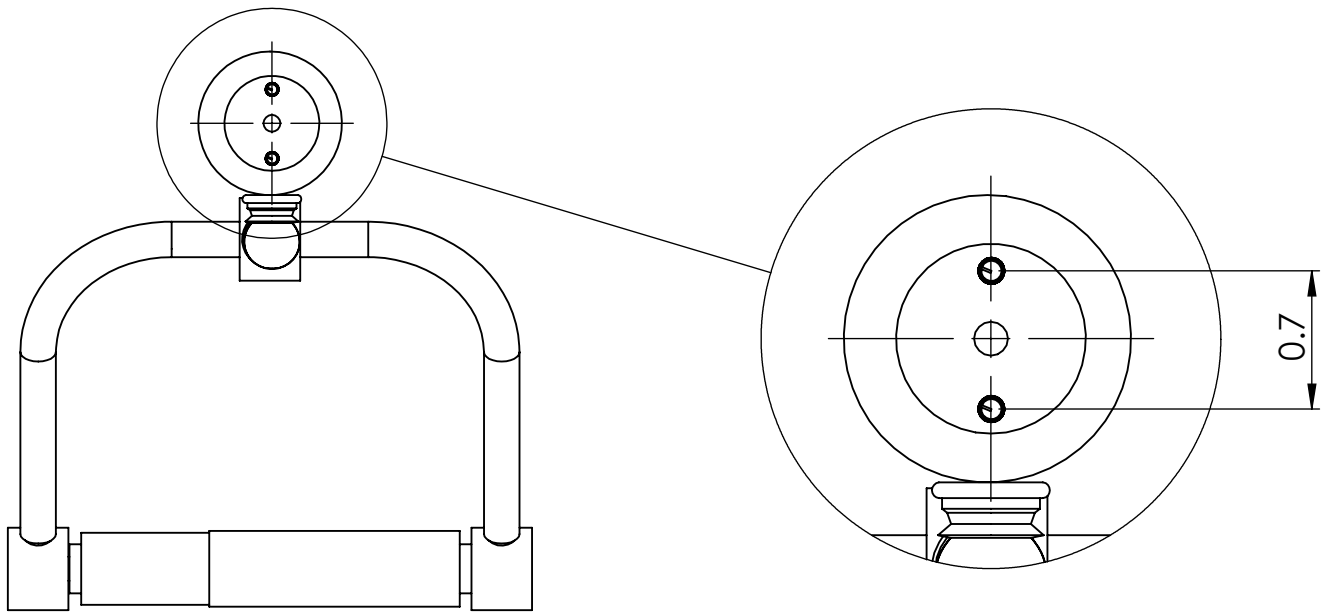
424D



INSTALLATION INSTRUCTIONS

Step 1: Drill holes in Wall for Backplate Mounting

Determine your desired location for installation and make a mark for the location. Make 2 marks where mounting screws will be placed as shown below. Mark for location of installation. Drill hole at each end of the marks.



Step 2: Attach Double Post Tissue Holder to Backplate

Unscrew Cap. Then mount Backplate to desired location and screw them in place. Then insert Double Post Tissue Holder into Backplate and screw Cap.

