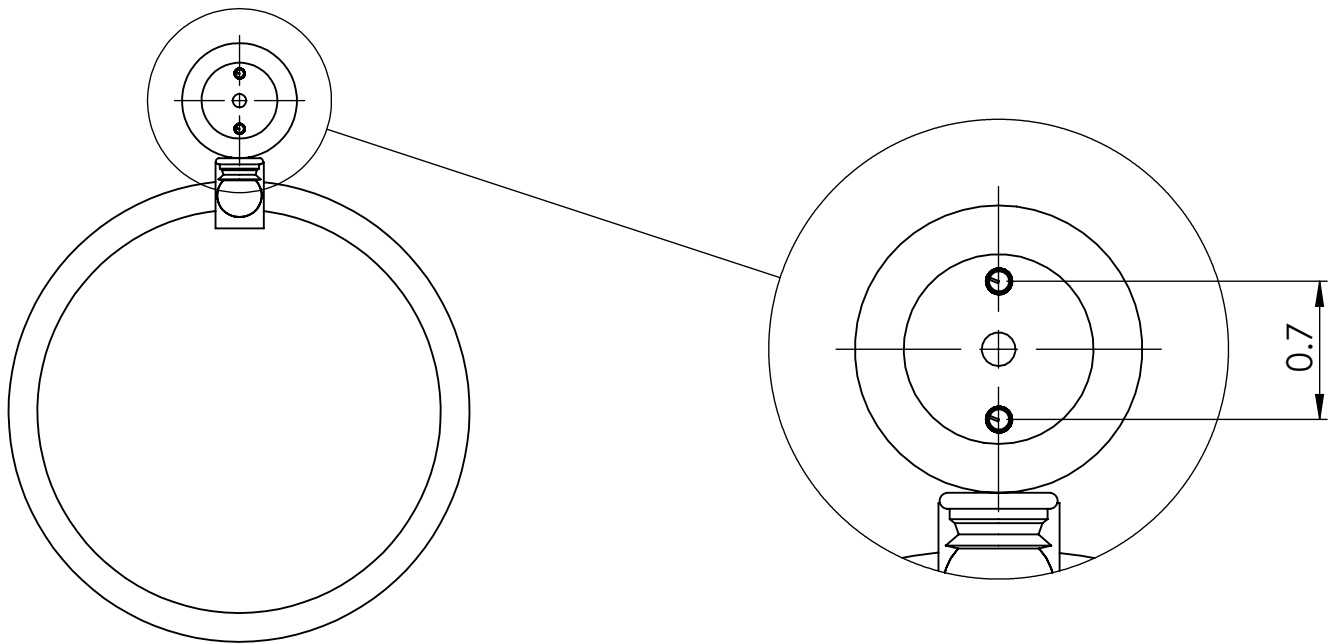


# INSTALLATION INSTRUCTIONS

## Step 1: Drill holes in Wall for Backplate Mounting

Determine your desired location for installation and make a mark for the location. Make 2 marks where mounting screws will be placed as shown below. Mark for location of installation. Drill hole at each end of the marks.



## Step 2: Attach Towel Ring to Backplate

Unscrew Cap. Then mount Backplate to desired location and screw them in place. Then insert Towel Ring into Backplate and screw Cap.

